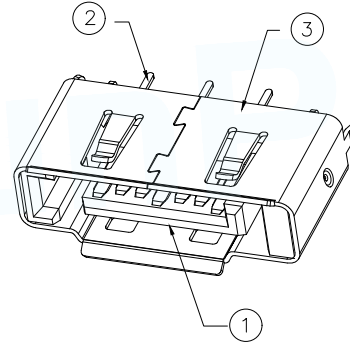
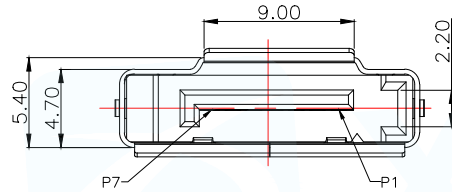
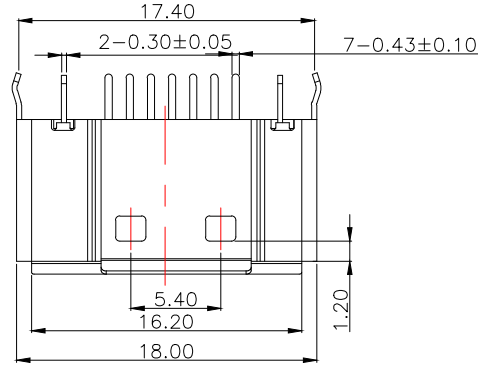
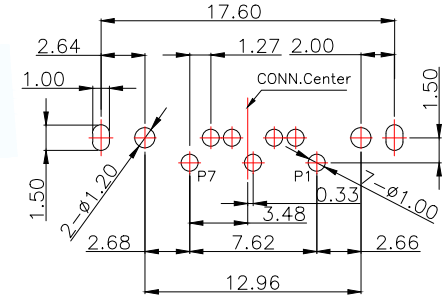


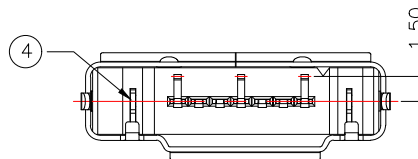
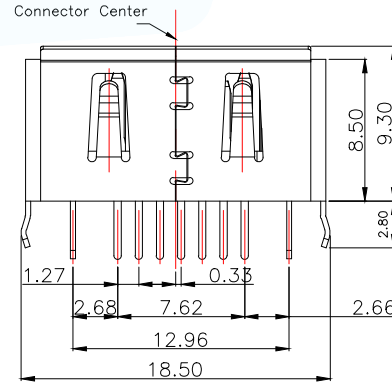
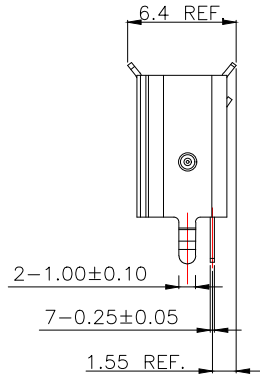
PIN ASSIGNMENT	
PIN NO.	SIGNAL NAME
P1	GND
P2	A+
P3	A-
P4	GND
P5	B-
P6	B+
P7	GND



- NOTES:
- MATERIAL:
INSULATOR: GLASS FILLED POLYESTER,UL 94 V-0 RATED OR OTHER EQUIVALENT RESINS.
CONTACT: COPPER ALLOY.
 - FINISH:
CONTACT:GOLD PLATING IN THE CONTACT AREA, SELECTIVE TIN PLATING IN THE SOLDERTAIL AREA,WITH NICKEL UNDERPLATING OVERALL.
SHIELD:NICKEL PLATING OVERALL.
GROUND:TIN PLATING OVERALL.
 - MECHANICAL:
3-1. INSERTION FORCE: 45N Max;
3-2. WITHOUT FORCE: 10N Min;
3-3. DURABILITY: 500 CYCLES;
 - ELECTRICAL:
4-1. CONTACT RESISTANCE: 30mΩ Max;
4-2. INSULATION RESISTANCE: 1000MΩ Min;
4-3. DIELECTRIC WITHSTANDING VOLTAGE: 500V AC;

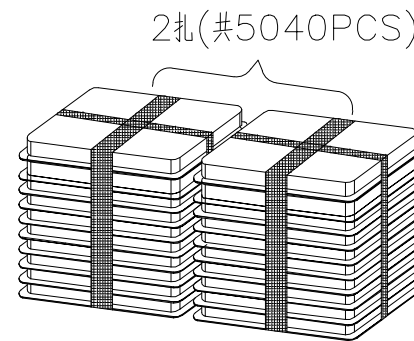
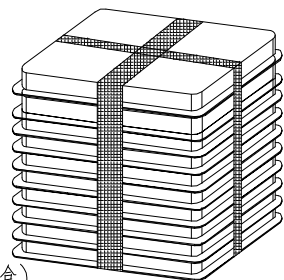
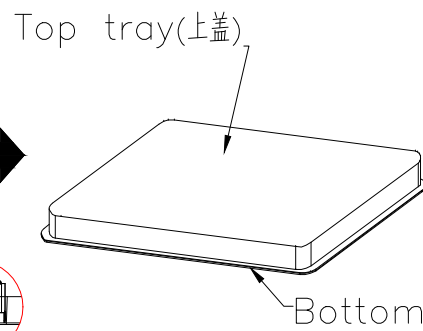
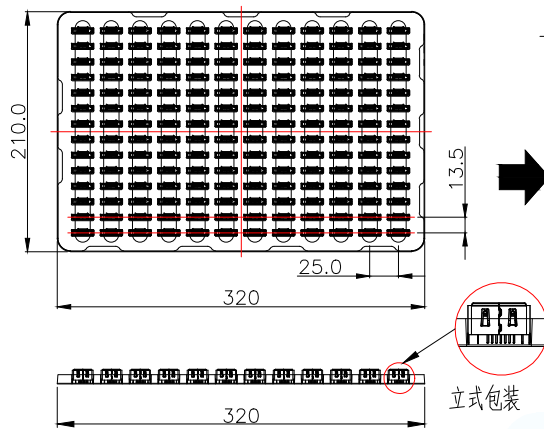


RECOMMEND PCB LAYOUT (TOP View)
T=1.60MM TOLERANCE:±0.05MM



4	GROUND	COPPER ALLOY T=0.30	Sn-Plated
3	SHELL	SPCC T=0.30	Ni-Plated
2	TERMINAL	COPPER ALLOY T=0.25	Gold-Plated
1	HOUSING	HIGH TEMP UL94 V-0	Black
NO.	DESCRIPTION	MATERIAL	REMARK
MANUFACTURE DWG		东莞市讯普电子科技有限公司 DongGuan XunPu Electronics Co.,Ltd	
UNLESS OTHERWISE SPECIFIED TOLERANCES		TITLE: SATA 7PIN DIP脚间距 1.5	
DECIMALS:			PAR
ANGLES:			DWN
X.X±0.20	X.*±5°		CHKD
X.XX±0.15	X.X*±2°		APVD
X.XXX±0.05	X.XX*±1°	CUSTOMER COPY	SCALE N:A UNIT:MM SIZE:A4 SHEET:1F1 REV:A

注：
14x12=168PCS/盘



① 将产品置入吸塑盒

② 盖好上盖

③ 包扎PE膜

④ 吸塑盒整齐摆放

包装说明：

1. 本包装规范适用于产品如下：

料号	规格
SATA-404-M07S1BB-B	DIP=2.80mm
SATA-404-M07S1BB-A	DIP=3.50mm

2. 将检验好之良品放入吸塑盒内，

每盒装入168PCS；(如图 ①)

3. 将装好产品的下盒加好上盖；(如图 ②)

4. 将盖好上盖的吸塑盒堆叠整齐，

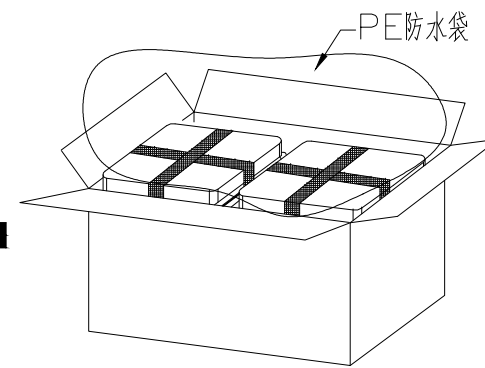
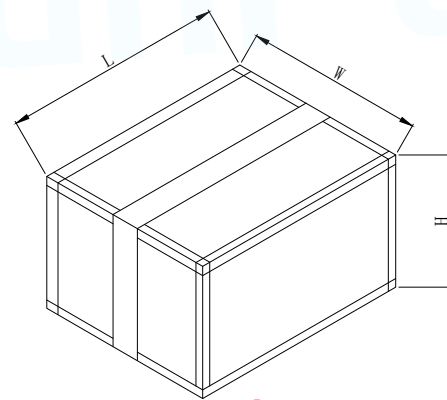
并每10盘用PE膜呈(+)字形扎好；(如图 ③)

5. 将扎好PE膜的2扎产品整齐摆放，(如图 ④)

6. 先将PE防水膜放入纸箱内，然后再在底部放入一张卡纸；(如图 ⑤)

7. 用透明胶纸将纸箱封好，并在外箱标签位置贴好出货标签；(如图 ⑥)

8. 包装时需轻拿轻放，产品不可变形、有脏污物，不可短装少数等不良现象。



MANUFACTURE DWG		东莞市讯普电子科技有限公司 DongGuan XunPu Electronics Co.,Ltd	
UNLESS OTHERWISE SPECIFIED TOLERANCES			TITLE: SATA 7PIN 立式包装
DECIMALS:	ANGLES:		PAR SATA-404-M07S1BA-B
X.X±0.20	X.*±5°		DWN
X.XX±0.15	X.X*±2°		CHKD
X.XXX±0.05	X.XX*±1°	APVD	SCALE N:A
CUSTOMER COPY		UNIT:MM	UNIT:MM
		SIZE:A4	SHEET:1F1
			REV:A