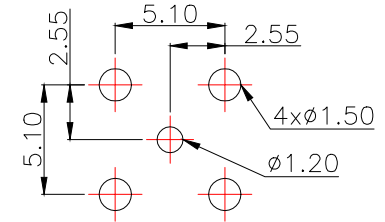
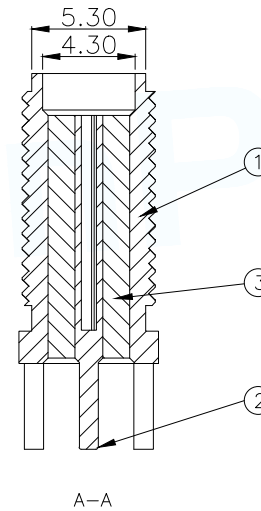
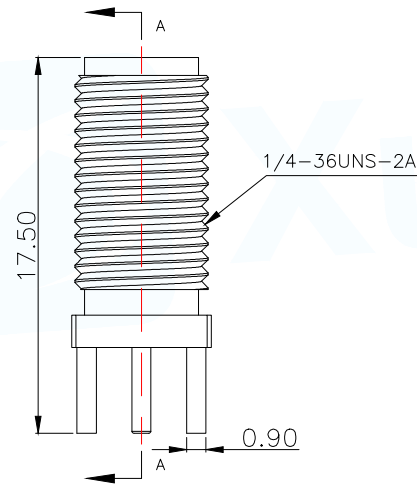
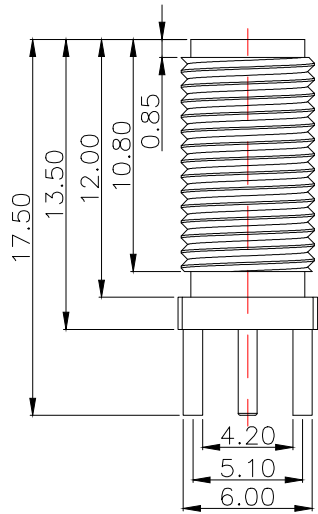
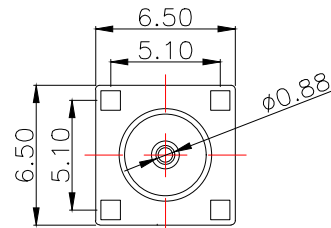


Technical requirements	
Characteristic impedance	50Ω
Frequency range	0-6GHZ
Contact resistance	
Inner conductor	≤3mΩ
Outer conductor	≤2mΩ
Insulated resistance	≥5000MΩ
Salt spray time	24H
Separation force	≥0.28N
Appearance: no shift point burr scratch surface bright, no dirt, no deformation, etc	



PCB.WELDING DRAWING (TOLERANCE:±0.05)



1	全螺铜座	1	黄铜	镀镍
2	平头母针	1	黄铜	镀金
3	绝缘体	1	PTFE	
序号	名称	数量	材料	备注

MANUFACTURE DWG

东莞市讯普电子科技有限公司
DongGuan XunPu Electronics Co.,Ltd

UNLESS OTHERWISE SPECIFIED TOLERANCES



TITLE:
正牌—全螺内孔—H17.5—L—N

DECIMALS:

ANGLES:

X.X±0.30

X.*±5°

X.XX±0.25

X.*±1°

X.XXX±0.15

PAR	SMA-KE-347A-H17.5-L-N
DWN	
CHKD	
APVD	
SCALE N:A	UNIT:MM
SIZE:A4	SHEET:1F1
CUSTOMER COPY	REV:A