

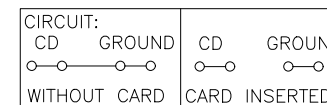
RECOMMEND PCB LAYOUT
GENERAL TOLERANCE ±0.05

NOTES:

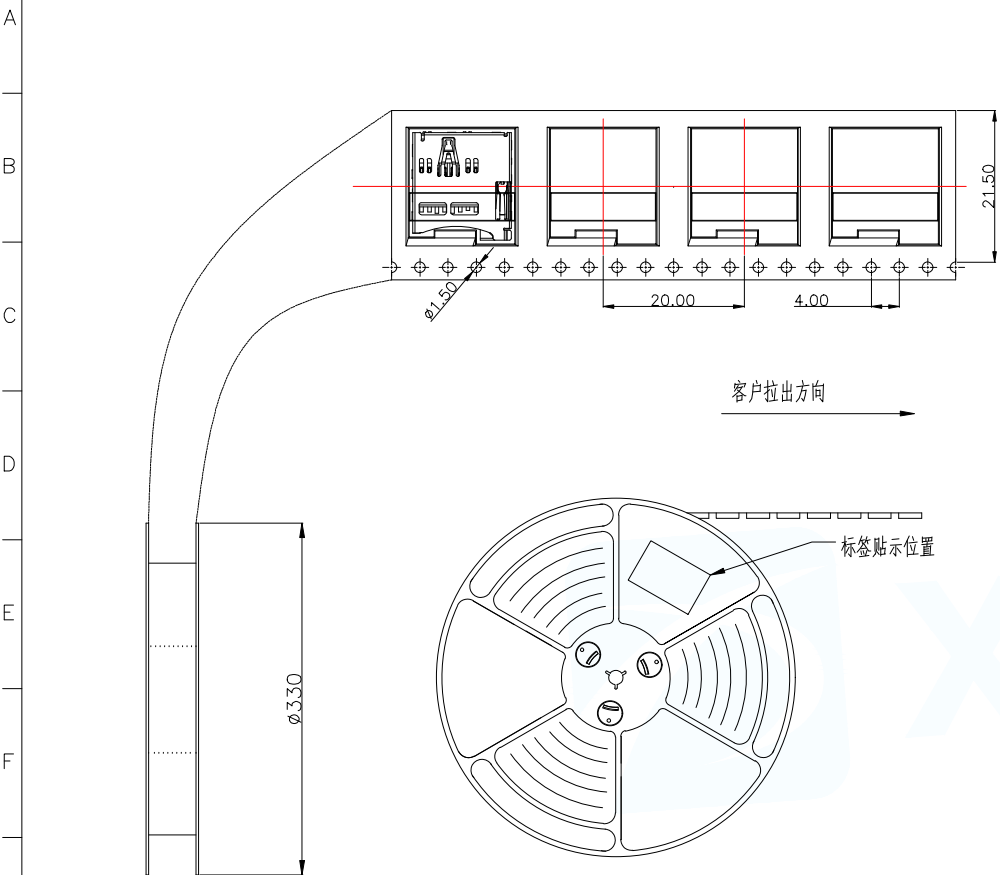
- MATERIAL:
 - Housing: High Temperature Thermoplastic
UL94V-0; Color Black.
 - Terminal: Copper Alloy.
 - Shell: Stainless Steel.
- PLATING:
 - Contact: Contact Area: Au G/F, Solder area: Matte tin
80u"Min ; Under plate Ni 40u"Min all over
 - SHELL: Solder Area: Au G/F, Under plate Ni 30u"Min all over
 - CD PIN: Contact Area: Au G/F, Under plate Ni 40u"Min all over
- SPECIALITY:
 - Rated current: 1.0A
 - Rated voltage: 30V
 - Contact Resistance: 50mΩ MAX
 - Insulation Resistance: 1000MΩ MIN 500V DC
 - Dielectric withstanding voltage: 500V AC.
 - Solder ability: 255±5s, 5±0.5s.
 - Durability: 10000 Cycles Min.
 - Operating condition: Temperature -40℃~+85℃
Humidity 80% R.H MAX

| Pin No. | MICRO SD | |
|---------|-------------|----|
| PIN1 | DAT2 | 1P |
| PIN2 | CD/DAT3 | 2P |
| PIN3 | CMD | 3P |
| PIN4 | VDD | 4P |
| PIN5 | CLK | 5P |
| PIN6 | VSS | 6P |
| PIN7 | DAT0 | 7P |
| PIN8 | DAT1 | 8P |
| PIN9 | CARD DETECT | |
| PIN10 | CARD DETECT | |

开关插卡状态

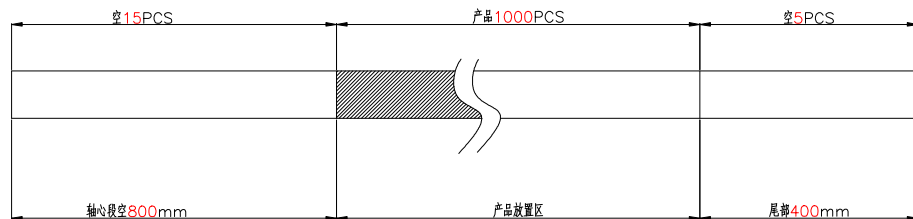


| | | | |
|---------------------------------------|-----------|---|--------------|
| MANUFACTURE DWG | | 东莞市讯普电子科技有限公司 DongGuan XunPu Electronics Co.,Ltd | |
| UNLESS OTHERWISE SPECIFIED TOLERANCES | | TITLE: 1.85H P_P TF Card 一体式无柱 客户图 | |
| DECIMALS: | ANGLES: | PAR | TF-125-ARP10 |
| .X: ±0.30 | X.°: ±2' | DWN | |
| .XX: ±0.20 | X.X°: ±1' | CHKD | |
| .XXX: ±0.10 | | APVD | |
| Website address | | SCALE 1:1 | UNIT: MM |
| | | SIZE: A4 | SHEET: 1F1 |
| | | | REV: A |

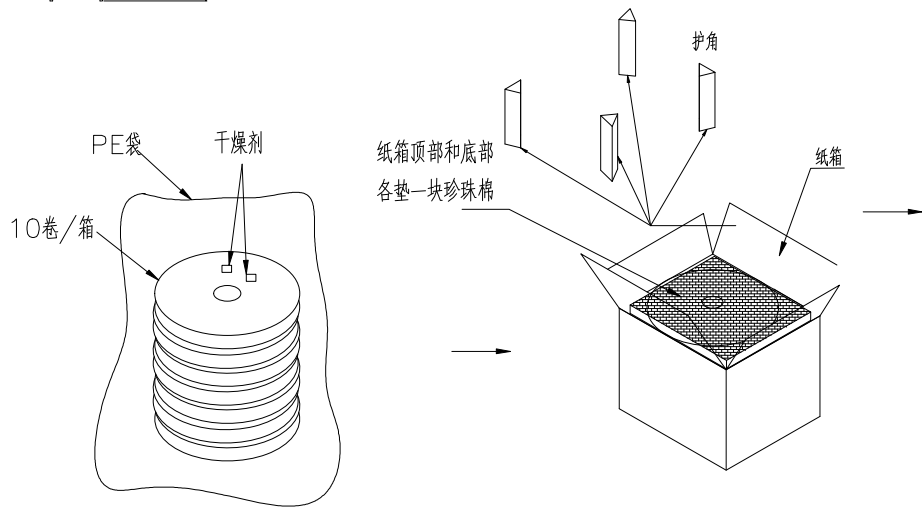
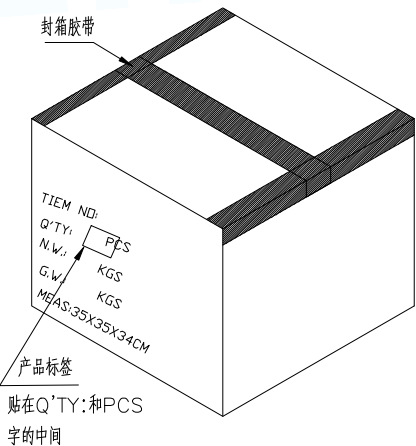


NOTES

1. 每卷包装数量: 1000PCS/每卷
2. 卷带包装方式:



3. 每箱包装数量: 10000PCS/箱



| | | | | |
|---------------------------------------|------------|---|--------------------------------------|--------------|
| MANUFACTURE DWG | |  东莞市讯普电子科技有限公司 DongGuan XunPu Electronics Co.,Ltd | TITLE: 1.85H P_P TF Card 带网一体式无柱 客户图 | |
| UNLESS OTHERWISE SPECIFIED TOLERANCES | | | PAR | TF-125-ARP10 |
| DECIMALS: | ANGLES: | DWN | | |
| .X: ±0.30 | X.' : ±2° | CHKD | | |
| .XX: ±0.20 | X.X' : ±1° | APVD | | |
| .XXX: ±0.10 | | SCALE 1:1 | UNIT: MM | |
| | | SIZE: A4 | SHEET: 1F1 | |
| | | Website address | REV: A | |