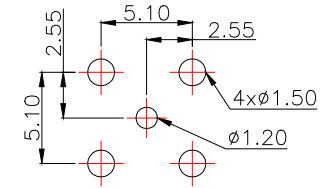
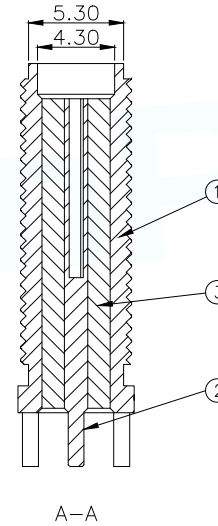
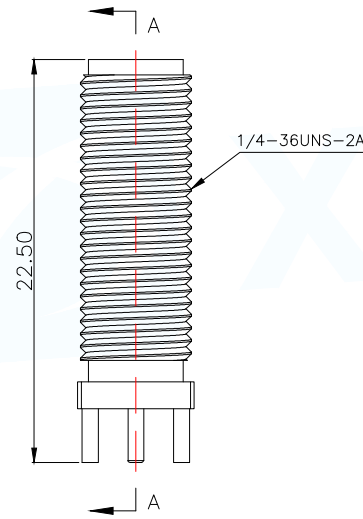
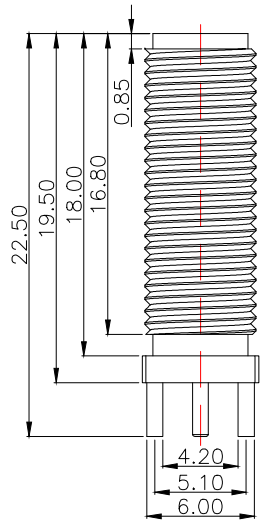
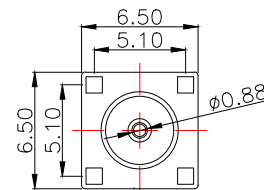


Technical requirements	
Characteristic impedance	50 Ω
Frequency range	0-3GHZ
Contact resistance	
Inner conductor	$\leq 3m\Omega$
Outer conductor	$\leq 2m\Omega$
Insulated resistance	$\geq 5000M\Omega$
Salt spray time	24H
Separation force	$\geq 0.28N$
Appearance: no shift point burr scratch surface bright, no dirt, no deformation, etc	



PCB.WELDING DRAWING (TOLERANCE:±0.05)



1	全螺铜座	1	黄铜	镀镍
2	平头母针	1	黄铜	镀金
3	绝缘体	1	PTFE	
序号	名称	数量	材料	备注

MANUFACTURE DWG		东莞市讯普电子科技有限公司 DongGuan XunPu Electronics Co.,Ltd		
UNLESS OTHERWISE SPECIFIED TOLERANCES		TITLE: 正牌—全螺内孔—H22.5—L18—镀镍		
DECIMALS:			PAR	SMA-KE-347A-H22.5-L-N
ANGLES:			DWN	
X.X±0.30	X.*±5°		CHKD	
X.XX±0.25	X.X*±1°		APVD	
X.XXX±0.15		CUSTOMER COPY	SCALE N:A	UNIT:MM
			SIZE:A4	SHEET:1F1
				REV:A