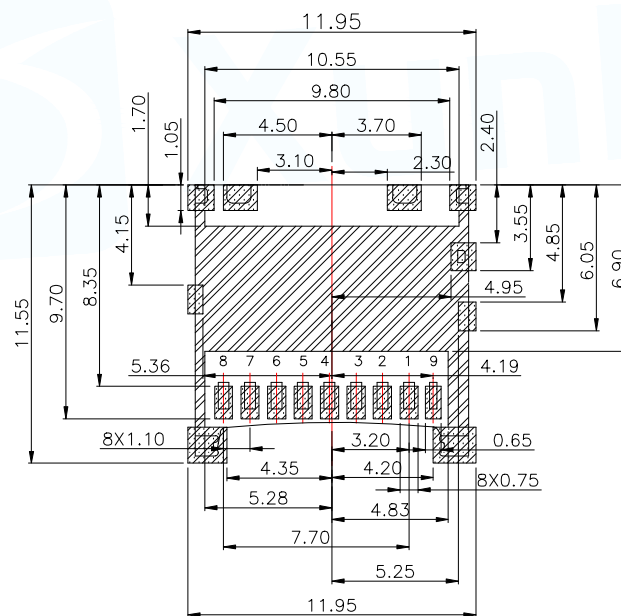
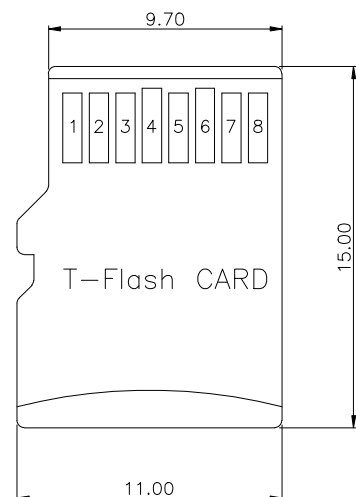
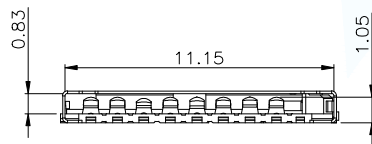
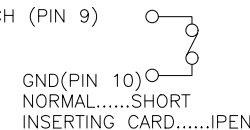


MATERIALS

1. HOUSING : THERMOPLASTIC (UL 94V-0).
2. TERMINAL : COPPER ALLOY, PLATING SEE TABLE.
3. SHELL : SUS.

SPECIFICATION

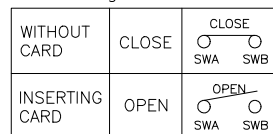
1. CURRENT RATING : 0.5 A. MAX.
2. DIELECTRIC WITHSTANDING VOLTAGE : 500V AC R.M.S. FOR 1 MINUTE.
3. INSULATION RESISTANCE : 1000MΩ MIN.AT 500V DC.
4. CONTACT RESISTANCE : 100mΩ MAX.
5. OPERATING LIFE: 3000 CYCLES.
6. OPERATING TEMPERATURE : -40°C TO +85°C.
7. CIRCUIT DIAGRAM FOR CARD DETECT SWITCH
CARD DETECT SWITCH (PIN 9)



PAD AREA
 KEEP OUT AREA

RECOMMENDED PCB LAYOUT
 GENERAL TOLERANCE ±0.05

Circuit Diagram for Detect Switch



TF CARD PIN DEFINE			
PIN NO.	NAME	YTYPE	DESCRIPTION
1	DAT2	I/O/PP	DATE LINE(BIT2)
2	CD/DAT3	I/O/PP	CARD DETECT DATE LIN(BIT3)
3	CMD	PP	COMMAND RESPONSE
4	VDD	S	SUPPLY VOLTAGE
5	CLX	I	CLOCK
6	VSS	S	SUPPLY VOLTAGE GROUND
7	DAT0	I/O/PP	DATE LINE(BIT0)
8	DAT1	I/O/PP	DATE LINE(DIT1)
9	SWA		

E	SW-B	1	STAINLESS STEEL	Ni/Au PLATING
D	SW-A	1	COPPER ALLOY	Ni/Au PLATING
C	SHELL-A	1	STAINLESS STEEL	Ni/Au PLATING
B	CONTACT	8	COPPER ALLOY	Gold Flash On Contact Area Tin plated on Solder tail All over Nickel Plated .
A	HOUSING	1	HIGH-TEMPERATURE PLASTIC UL94-V0	BLACK
NO	DESCRIPTION	QTY	MATERIAL	PLATING & COLOR

MANUFACTURE DWG

东莞市讯普电子科技有限公司
 DongGuan XunPu Electronics Co.,Ltd

UNLESS OTHERWISE SPECIFIED TOLERANCES

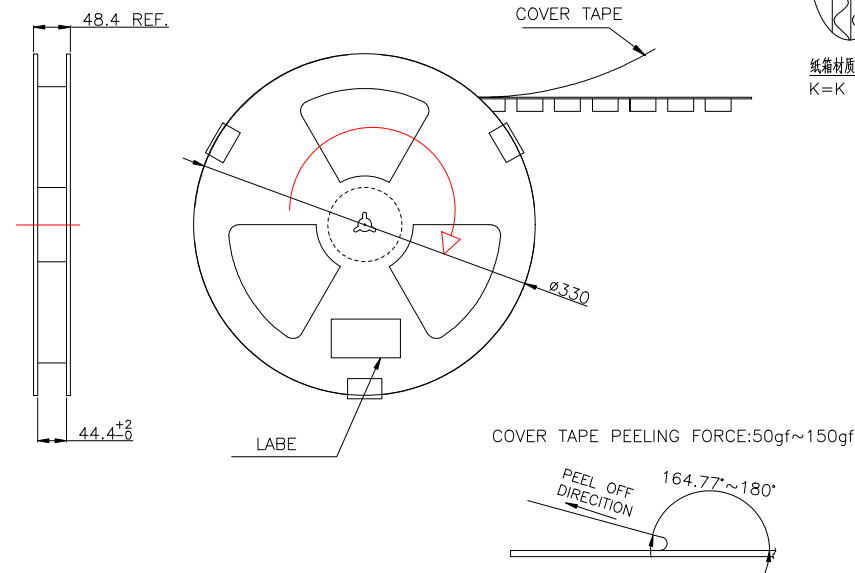
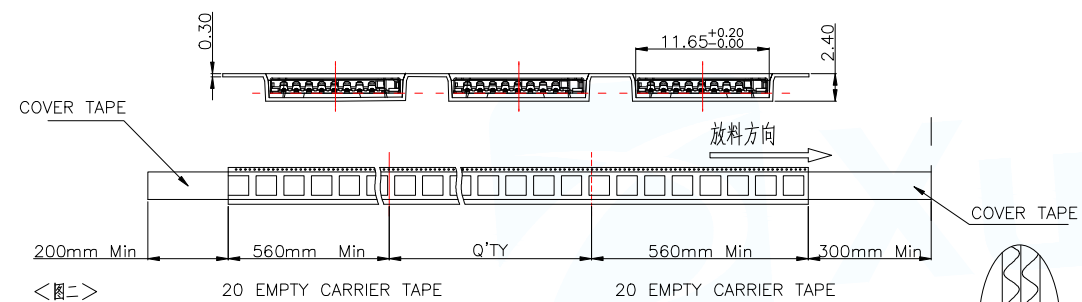
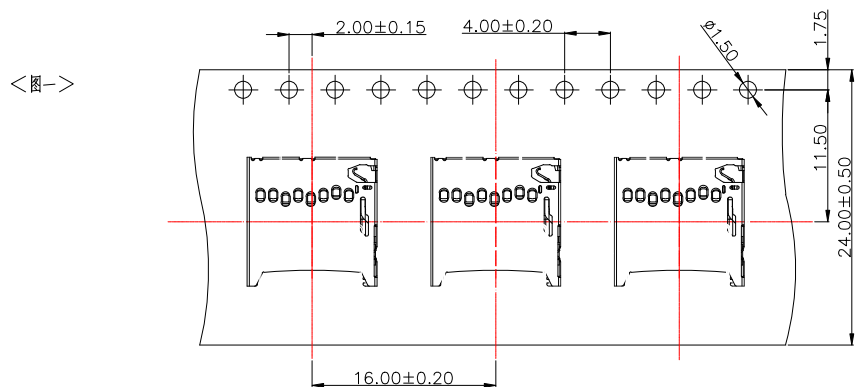


TITLE:T-F CARD CONN SMT
9P 1.32H

DECIMALS:
 X.:±0.50
 X.X:±0.30
 X.XX:±0.20

ANGLES:
 X':±2'
 X.X':±1'

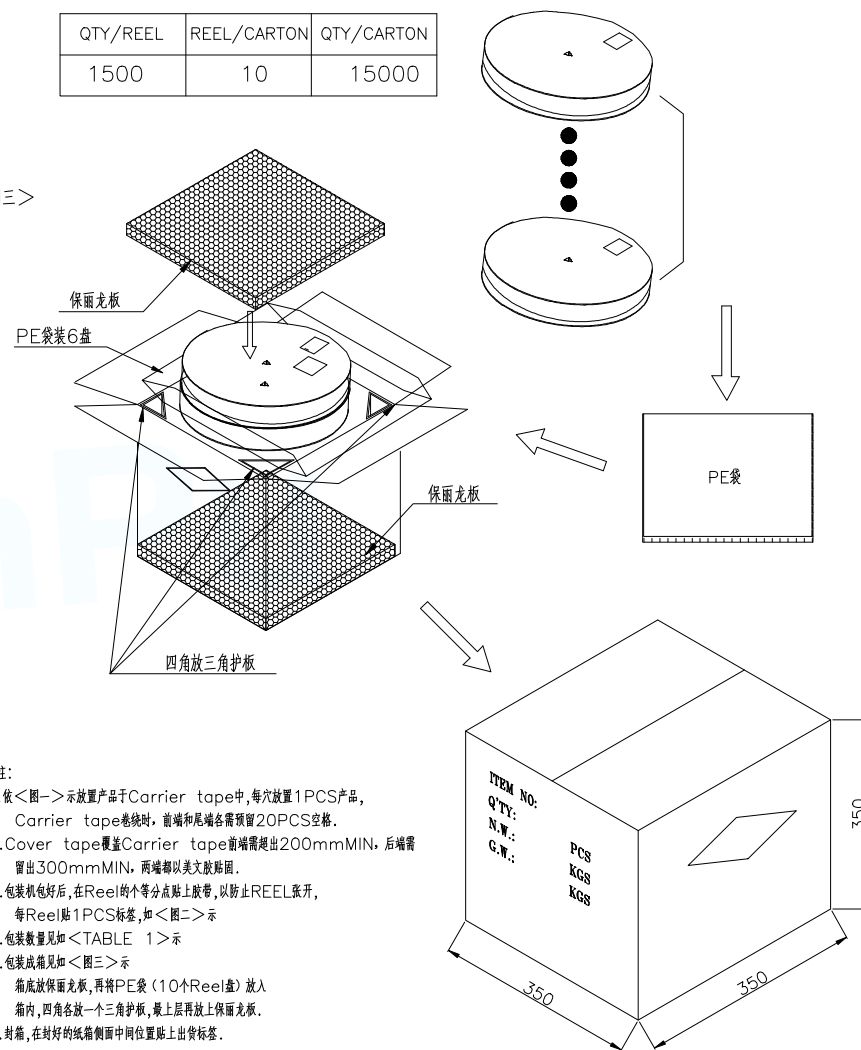
PAR TF-110-ARP9
 DWN
 CHKD
 APVD
 SCALE1:1 UNIT:MM
 SIZE:A4 SHEET:1F1 REV:A



<TABLE 1> PACKAGING QUANTITY

QTY/REEL	REEL/CARTON	QTY/CARTON
1500	10	15000

<图三>



备注:

- 依<图一>示放置产品于Carrier tape中,每次放置1PCS产品, Carrier tape卷绕时,前端和尾端各需预留20PCS空格。
- Cover tape覆盖Carrier tape前端需超出200mmMIN, 后端需留出300mmMIN, 两端都以美文胶贴固。
- 包装打包好后,在Reel的个等分点上贴胶带,以防止REEL张开, 每Reel贴1PCS标签,如<图二>示
- 包装数量见如<TABLE 1>示
- 包装装箱见如<图三>示
箱底放保丽龙板,再将PE袋(10个Reel盘)放入箱内,四角各放一个三角护板,最上层再放上保丽龙板。
- 封箱,在封好的纸箱侧面中位置贴上出货标签。

MANUFACTURE DWG			东莞市讯普电子科技有限公司 DongGuan XunPu Electronics Co.,Ltd	
UNLESS OTHERWISE SPECIFIED TOLERANCES			TITLE:T-F CARD CONN SMT 9P 1.32H 包装图	
DECIMALS:	ANGLES:	PAR	TF-110-ARP9	
X.:±0.50	X'.:±2'	DWN		
X.X:±0.30	X.X':±1'	CHKD		
X.XX:±0.20		APVD		
CUSTOMER COPY		SCALE1:1	UNIT:MM	
		SIZE:A4	SHEET:1F1	REV:A