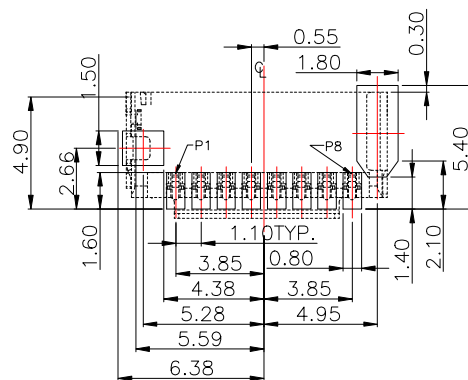


Pin No.	NAME
1	DAT2
2	CD/DAT3
3	CMD
4	VDD
5	CLK
6	VSS
7	DAT0
8	DAT1



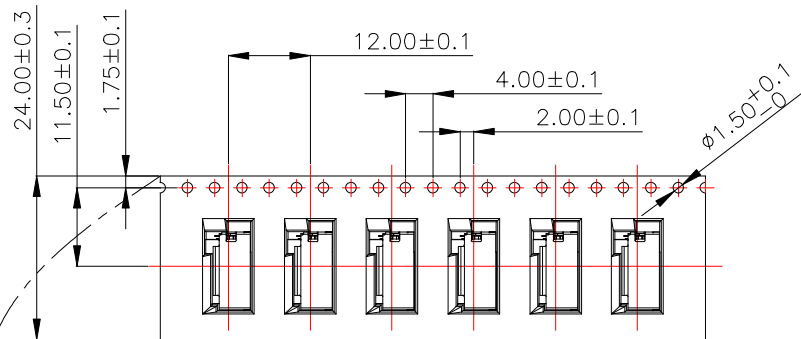
RECOMMENDED PCB LAYOUT
GENERAL TOLERANCE ±0.05

—NOTES—

- 1.Electrical:
Contact resistance:50m ohms max.
Dielectric withstanding voltage:500V RMS.
Insulation resistance:1000M ohms min.
- 2.Mechanical:
MATE AND UNMATE FORCE:
MATE FORCE:3.5kg MAX
UNMATE FORCE:0.05kg MIN
Durability:1500cycles MIN.
- 3.Environment:
Operating Temperature:−25°to+85°.
- 4.FINISH:
TERMINAL: C5191 GOLD Plated Over NICKEL
Contact area,
Plated ALL Over NICKEL.
Shell: SUS201 WITH NICKEL&GOLD Plated.
- 5.COLOR:
HOUSING:LCP,BLACK.

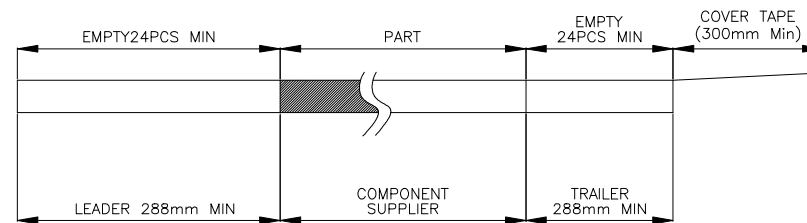
MANUFACTURE DWG			 东莞市讯普电子科技有限公司 DongGuan XunPu Electronics Co.,Ltd	
UNLESS OTHERWISE SPECIFIED TOLERANCES			TITLE: 2.65H TF 规格无侦测PIN	
DECIMALS:	ANGLES:	PAR	TF-121-ARP8H265	
X.X:±0.30	X.':±2'	DWN		
X.XX:±0.20		CHKD		
X.XXX:±0.10		APVD		
CUSTOMER COPY		SCALE1:1	UNIT:MM	
		SIZE:A4	SHEET:1F1	REV:A

User Direction of Unreeling →



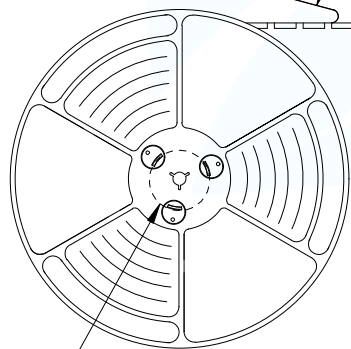
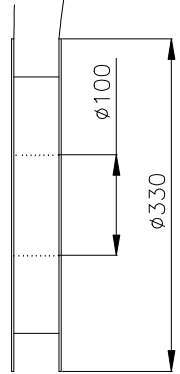
NOTES

1. NUMBER OF CONNECTORS:SEE TABLE 2
2. LEAD TAPE LENGTH

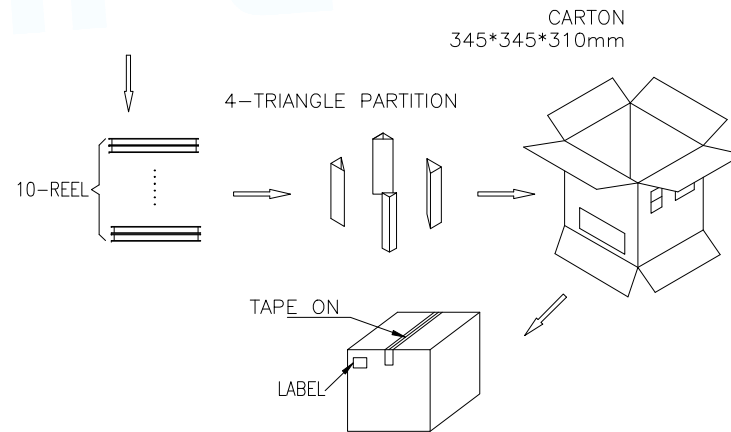
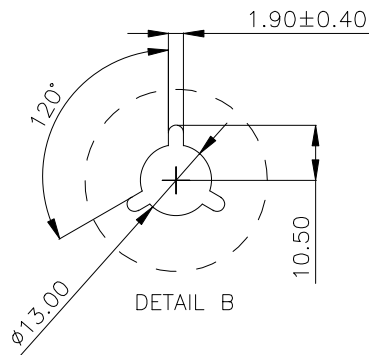


COVER TAPE PEELING ANGLE:165°~180°
PEELING FORCE:20~130g
CARRIER TAPE

3. QUANTITY: 10REEL/CARTON



DETAIL B



MANUFACTURE DWG		 东莞市讯普电子科技有限公司 DongGuan XunPu Electronics Co.,Ltd	TITLE:	
UNLESS OTHERWISE SPECIFIED TOLERANCES			2.65H TF规格无检测PIN	
DECIMALS:	ANGLES:	PAR	TF-121-ARP8H265	
X.X:±0.30	X.':±2'	DWN		
X.XX:±0.20		CHKD		
X.XXX:±0.10		APVD		
CUSTOMER COPY		SCALE1:1	UNIT:MM	⊕ ◀
		SIZE:A4	SHEET:1F1	REV:A