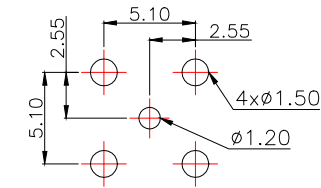
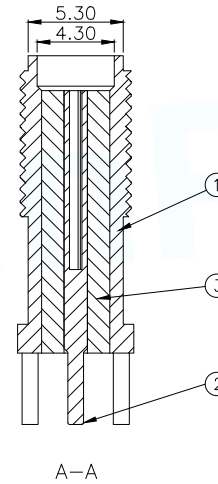
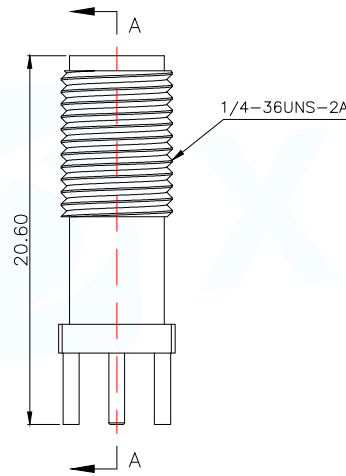
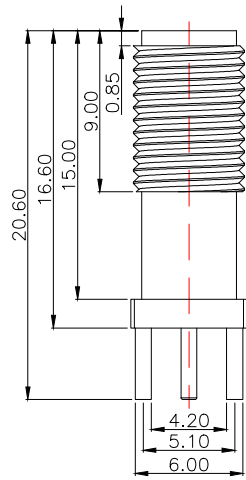
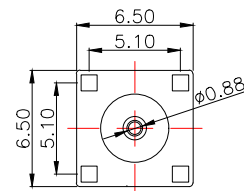


Technical requirements	
Characteristic impedance	50Ω
Frequency range	0-3GHz
Contact resistance	
Inner conductor	≤3mΩ
Outer conductor	≤2mΩ
Insulated resistance	≥5000MΩ
Salt spray time	24H
Separation force	≥0.28N
Appearance: no shift point burr scratch surface bright, no dirt, no deformation, etc	



PCB.WELDING DRAWING (TOLERANCE:±0.05)



1	半螺铜座	1	黄铜	镀镍
2	平头母针	1	黄铜	镀金
3	绝缘体	1	PTFE	
序号	名称	数量	材料	备注

MANUFACTURE DWG		东莞市讯普电子科技有限公司 DongGuan XunPu Electronics Co.,Ltd	
UNLESS OTHERWISE SPECIFIED TOLERANCES		TITLE: 正牌—半螺内孔—H20.6-L8镀镍	
DECIMALS:	ANGLES:	PAR	SMA-KE-347A-H20.6-L8-N
X.X±0.30	X.*±5'	DWN	
X.XX±0.25	X.X'±1'	CHKD	
X.XXX±0.15		APVD	
CUSTOMER COPY		SCALE N:A	UNIT:MM
		SIZE:A4	SHEET:1F1
			REV:A