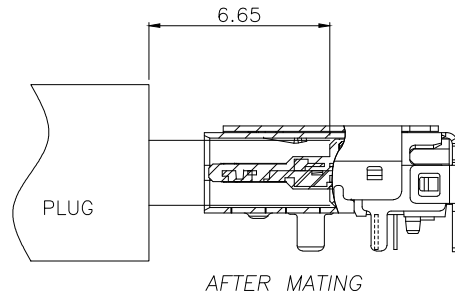


SECTION:A-A

NOTE:

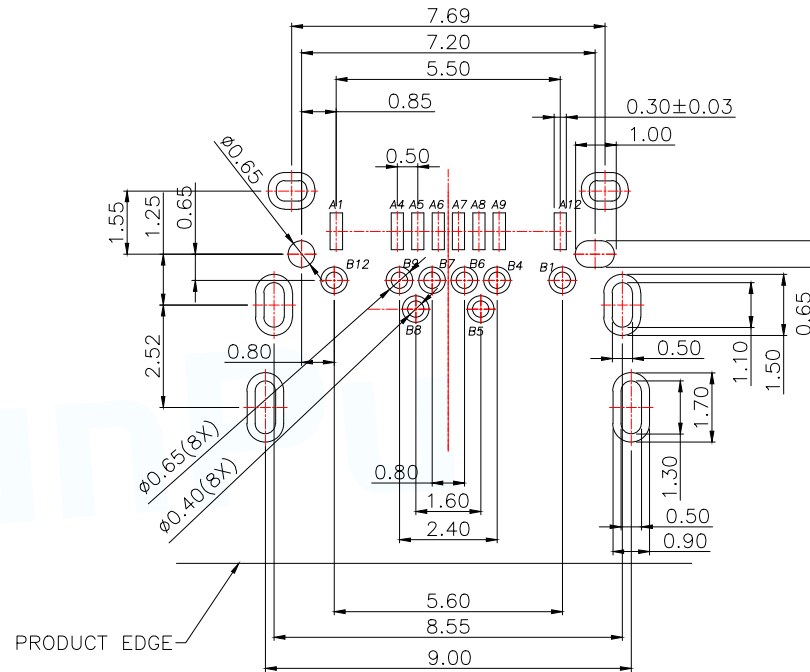
- MATERIAL SPECIFICATION:
  - HOUSING:PA9T COLOR SEE TABLE 1,UL94 V-0.
  - CONTACTS:COPPER ALLOY(C1814)
  - MID PLATE: STAINLESS STEEL(SUS301)
  - FRONT SHELL&COVER: STAINLESS STEEL(SUS304)
- PLATING SPECIFICATION:
  - CONTACTS:
    - Ni 50u" MIN. UNDER PLATED OVER ALL.
    - Au PLATED ON THE FUNCTIONAL AREA OF CONTACT.
    - CONTACT FUNCTIONAL AREA PLATED : Au 3u"
    - CONTACT SOLDER AREA PLATED : Au G/F"
  - FRONT SHELL & COVER:
    - Ni 30u" MIN. UNDER PLATED OVER ALL.
  - MID PLATE
    - CLEAR ONLY
- MECHANICAL PERFORMANCE,
  - INSERTION FORCE: 0.5~2.0kgf.
  - REMOVAL FORCE: 0.8kgf~2.0kgf.
  - DURABILITY: 10000 CYCLES.
- ELECTRICAL PERFORMANCE,
  - CURRENT RATING:3.0A  
VOLTAGE RATING:5.0V
  - LLCR:
    - VBUS & GND PINS AND OTHER PINS: 40mA/PIN MAX.
    - SHIELD: 50mA/MAX.
    - LLCR MAX. CHANGE OF ALL PINS: 10mA.
  - INSULATION RESISTANCE: 100MΩ MIN
  - DIELECTRIC WITHSTAND VOLTAGE,AC 100V FOR 1 MINUTE.
- ENVIRONMENTAL PERFORMANCE:
  - OPERATING TEMPERATURE: -25°C~+85°C.
  - IR REFLOW:
    - THE PEAK TEMPERATURE ON THE BOARD SHALL BE MAINTAINED FOR 10 SECONDS AT 260°C.

MANUFACTURE DWG		东莞市讯普电子科技有限公司 DongGuan XunPu Electronics Co.,Ltd	
UNLESS OTHERWISE SPECIFIED TOLERANCES			
		TITLE: USB CF 16PIN DIP&SMT PAR TYPEC-319DDS-ACP16	
DECIMALS:	ANGLES:	CHKD	
.X:±0.30	X':±10'	APVD	
.XX:±0.20	.X':±8'	SCALE:1:1	UNIT:MM
.XXX:±0.10	.XX':±5'	SIZE:A4	SHEET:1F1
		CUSTOMER COPY	REV:A



USB TYPE-C PIN ASSIGNMENTS

PIN NUMBER	SIGNAL NAME	PIN NUMBER	SIGNAL NAME
A1	GND	B12	GND
/		/	
A4	Vbus	B9	Vbus
A5	CC1	B8	SBU2
A6	Dp1	B7	Dn2
A7	Dn1	B6	Dp2
A8	SBU1	B5	CC2
A9	Vbus	B4	Vbus
/		/	
A12	GND	B1	GND



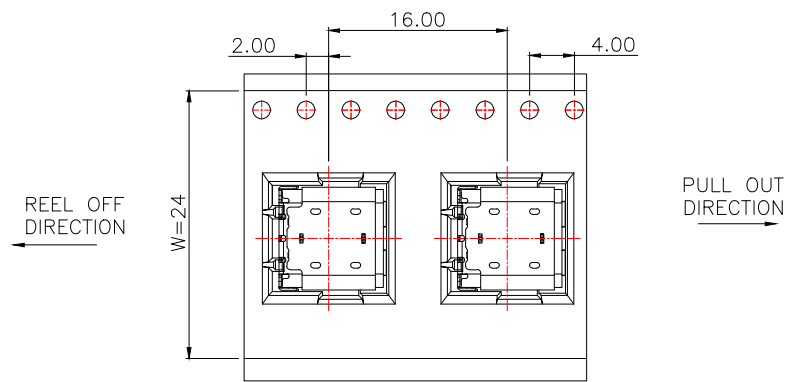
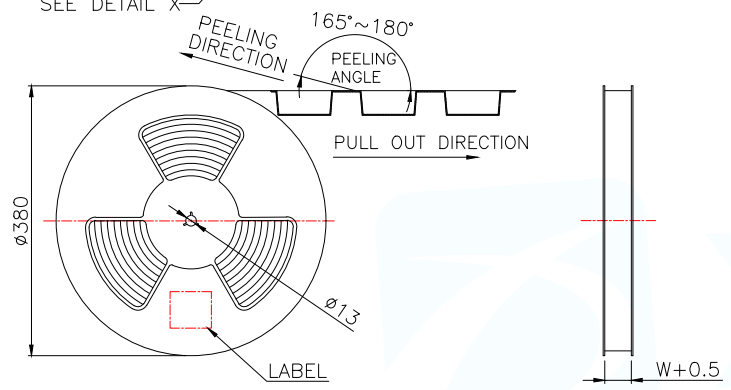
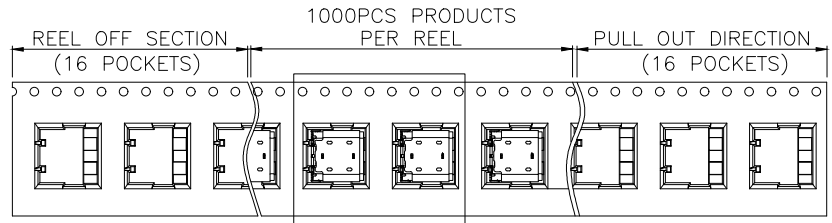
SCALE 1.5:1

RECOMMENDED PCB LAYOUT(TOP VIEW)  
THICKNESS 1.0 MM;DEFAULT TOLERANCE:±0.05

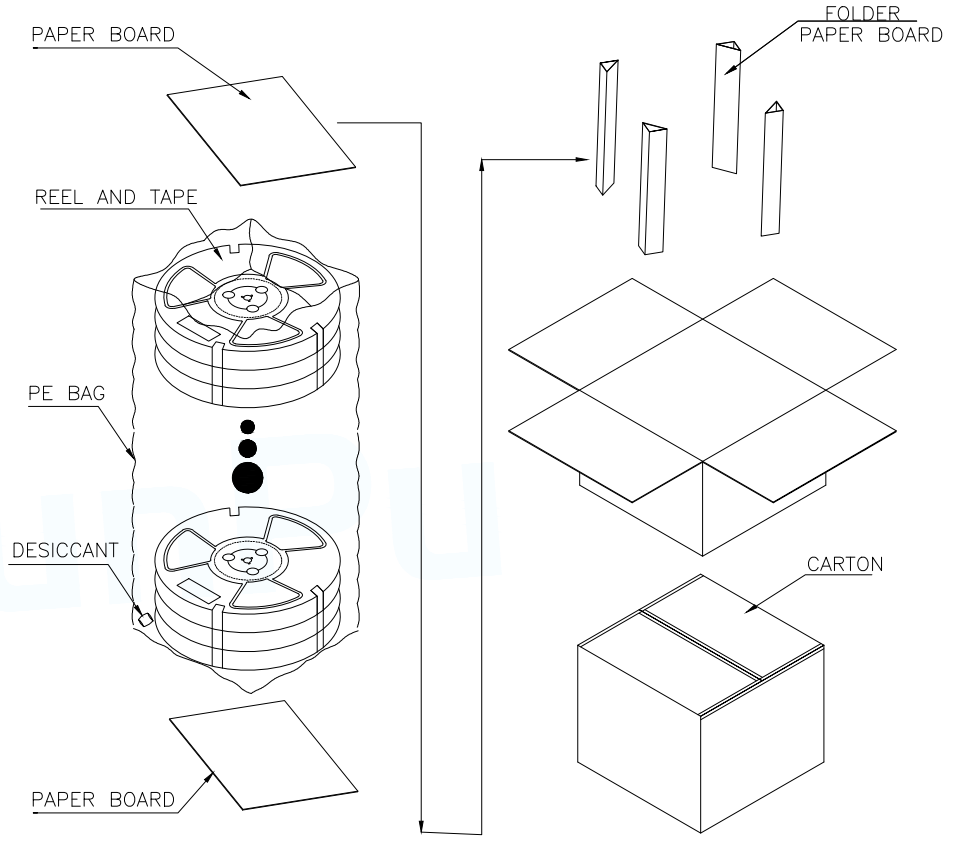
TABLE 1

ITEM	P/N	PLATING		HOUSING CLOER
		MATING AREA	SOLDER AREA	
1	TYPEC-319DDS-ACP16	Au:3u"	Au:G/F	BALCK

MANUFACTURE DWG		 东莞市讯普电子科技有限公司 DongGuan XunPu Electronics Co.,Ltd	
UNLESS OTHERWISE SPECIFIED TOLERANCES			TITLE: USB CF 16PIN DIP&SMT
			PAR TYPEC-319DDS-ACP16
DECIMALS:	ANGLES:		DWN
.X:±0.30	X':±10°		CHKD
.XX:±0.20	.X':±8°	APVD	SCALE 1:1
.XXX:±0.10	.XX':±5°	CUSTOMER COPY	UNIT:MM
		SIZE:A4	UNIT:MM
		SHEET:1F1	REV:A



DETAIL\_X  
SCALE 2:1



	REEL/TRAY	CARTON
CONNECTOR (PCS)	1000	10000

MANUFACTURE DWG		东莞市讯普电子科技有限公司 DongGuan XunPu Electronics Co.,Ltd	
UNLESS OTHERWISE SPECIFIED TOLERANCES			TITLE: USB CF 16PIN DIP&SMT
			PAR TYPEC-319DDS-ACP16
DECIMALS:	ANGLES:		DWN
.X:±0.30	X':±10'		CHKD
.XX:±0.20	.X':±8'	APVD	SCALE 1:1 UNIT:MM
.XXX:±0.10	.XX':±5'	CUSTOMER COPY	SIZE:A4 SHEET:1F1
			REV:A