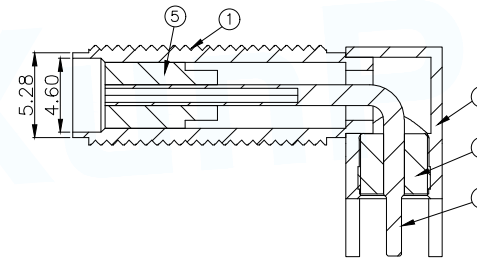
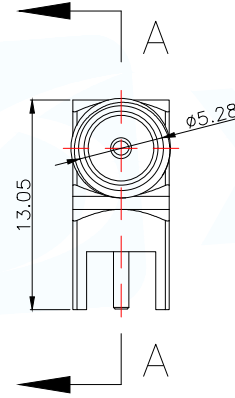
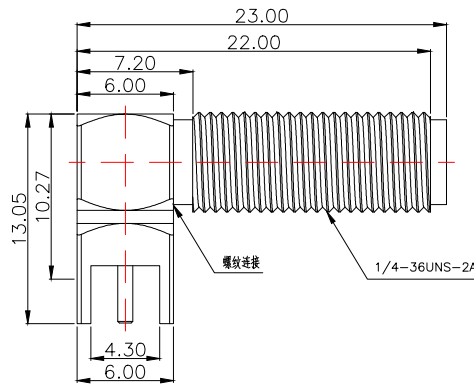
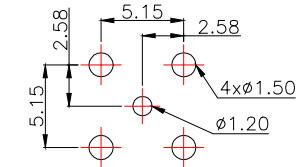


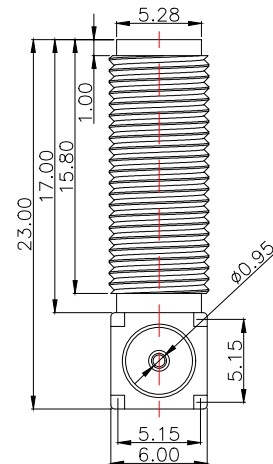
Technical requirements	
Characteristic impedance	50Ω
Frequency range	0-6GHz
Contact resistance	
Inner conductor	≤3mΩ
Outer conductor	≤2mΩ
Insulated resistance	≥5000MΩ
Salt spray time	48H
Separation force	≥0.28N
Appearance: no shift point burr scratch surface bright, no dirt, no deformation, etc	



A-A



PCB.WELDING DRAWING (TOLERANCE:±0.05)



1	全螺铜套	1	黄铜	镀金
2	母针	1	黄铜	镀金
3	绝缘体1	1	PTFE	
4	铜座	1	黄铜	镀金
5	绝缘体2	1	PTFE	
序号	名称	数量	材料	备注

MANUFACTURE DWG

东莞市讯普电子科技有限公司  
DongGuan XunPu Electronics Co.,Ltd

UNLESS OTHERWISE SPECIFIED TOLERANCES



TITLE:  
弯头-全螺内孔-H13\*23-LW

DECIMALS: ANGLES:

X.X±0.30 X.\*±5'

X.XX±0.25 X.X'±1'

X.XXX±0.15

PAR SMA-KWE-323C-H13X23-LW

DWN

CHKD

APVD

SCALE N:A UNIT:MM

SIZE:A4 SHEET:1F1

REV:A

CUSTOMER COPY