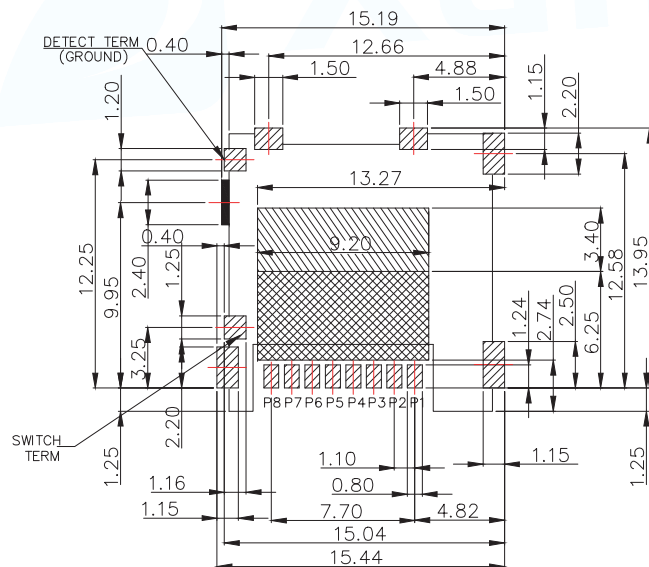
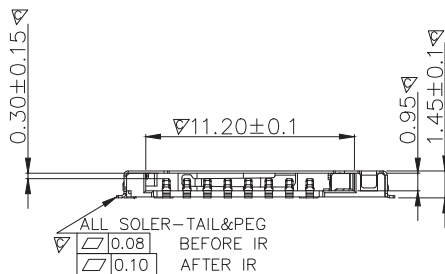


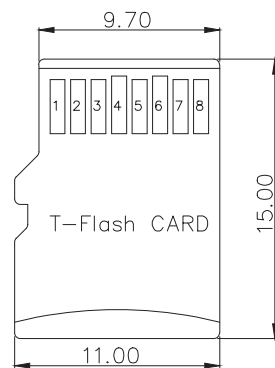
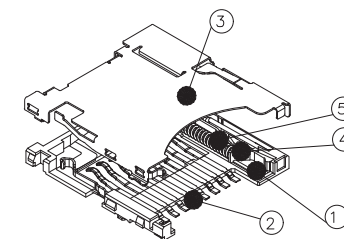
*NOTES:

- 1.COPLANARTY SPEC. FOR ALL SOLDER TAILS AND SOLDER PADS IS 0.1MM MAX.
- 2.ELECTRICAL CHARACTERISTICS:
 - 2-1. CURRENT RATING: 0.5 AMP. MAX.
 - 2-2. VOLTAGE: 100V DC. MAX.
 - 2-3. LOW LEVEL CONTACT RESISTANCE: 100 MOHMS MAX. INITIALLY.
 - 2-4. DIELECTRIC WITHSTANDING VOLTAGE: 500V AC MIN. FOR 1 MINUTE.
 - 2-5. INSULATION RESISTANCE: (INITIAL) 1000MOHMS MIN.(FINAL) 100MOHMS MIN. BY APPLYING 500V DC ON MATED AND UNMATED CONNECTORS THROUGH MIL-STD-202, METHOD 302.
- 3.MECHANICAL CHARACTERISTICS:
 - 3-1. DURABILITY: 5000 CYCLES.
 - 3-2. OPERATING TEMP. RANGE: -25°C TO 85°C. [INCLUDING TERMINAL TEMP. RISE]
 - 3-3. STORAGE TEMP: -40°C TO 85°C.
- 4.DIMENSIONS MARKED ∇AREA MAJOR CHECKED DIMENSIONS.
- 5.HARMFUL MATERIAL CONTROL PLEASE FOLLOW DOC. NO. "EP112".
- 6.QUANTITY OF PRODUCTS: 1500PCS/REEL

THERE IS NO APPLY THE LAND ON THIS AREA BY THE CASE



TF CARD PIN DEFINE			
PIN NO.	NAME	TYPE	DESCRIPTION
1	DAT2	I/O/PP	DATE LINE(BIT2)
2	CD/DAT3	I/O/PP	CARD DETECT DATE LIN(BIT3)
3	CMD	PP	COMMAND RESPONSE
4	VDD	S	SUPPLY VOLTAGE
5	CLX	I	CLOCK
6	VSS	S	SUPPLY VOLTAGE GROUND
7	DAT0	I/O/PP	DATE LINE(BIT0)
8	DAT1	I/O/PP	DATE LINE(DIT1)



- PROHIBITED AREA
- PATTERN PROHIBITED AREA
- SOLDERPROHIBITED AREA

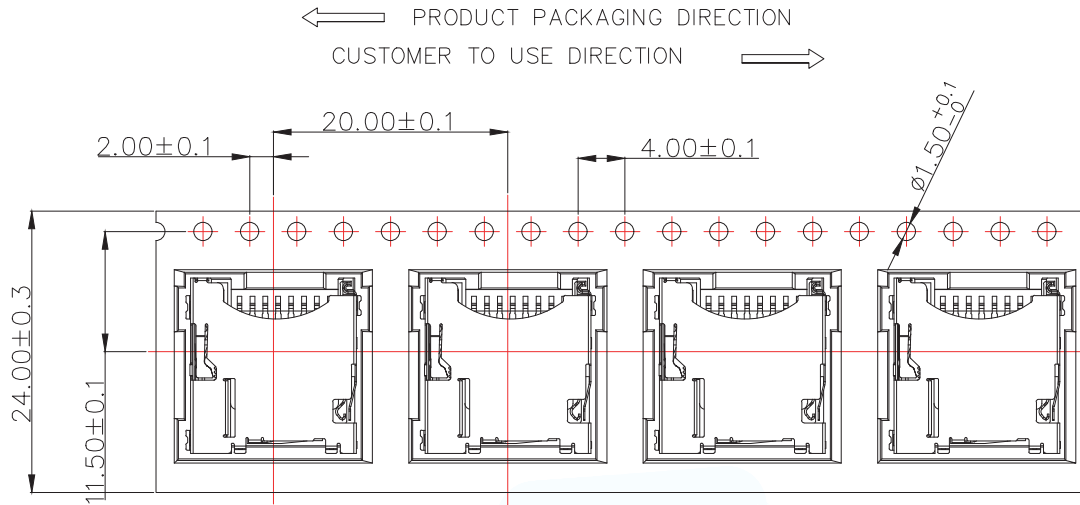
Circuit Diagram for Detect Switch



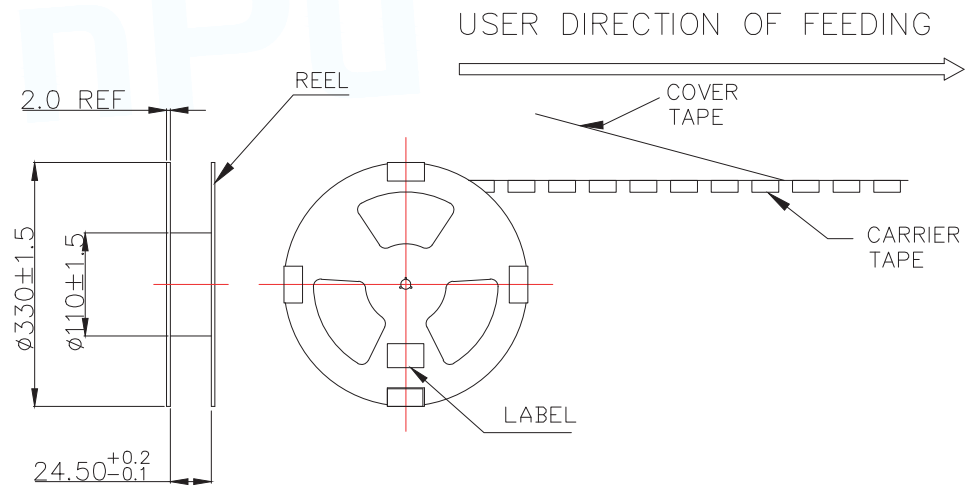
RECOMMENDED PCB LAYOUT
GENERAL TOLERANCE ±0.05

ITEM	DESCRIPTION	MATERIAL	FINISH	Q'TY
⑤	SPRING	SUS	NO PLATING	1
④	SLIDE	LCP	GLASS FILLED(OR EQUAL), UL 94V-0, BLACK	1
③	SHELL	SUS301-H T=0.10	GOLD FLASH PLATED ON SOLDER TAIL AREA. NICKEL 30~100u" UNDER PLATED OVER ALL	1
②	TERMINAL	COPPER ALLOY	GOLD PLATED ON CONTACT AREA"A" SEE "PLATED CODE NOTE" GOLD FLASH PLATED ON CONTACT AREA"B" AND SOLDER TAIL AREA NICKEL 50~150u" UNDER PLATED OVER ALL	1
①	HOUSING	LCP	GLASS FILLED(OR EQUAL), UL 94V-0, BLACK	1

MANUFACTURE DWG		东莞市讯普电子科技有限公司 DongGuan XunPu Electronics Co.,Ltd	
UNLESS OTHERWISE SPECIFIED TOLERANCES		TITLE: 1.45MM PUSH MICRO SD CARD CONN.(OPEN)	
DECIMALS:	ANGLES:	PAR	TF-109-ARP9
X.: ±0.50	X': ±2'	DWN	
X.X: ±0.20	X.X': ±1'	CHKD	
X.XX: ±0.10		APVD	
CUSTOMER COPY		SCALE: 1:1	UNIT: MM
		SIZE: A4	SHEET: 1F1
			REV: A



产品料号	一盘产品数量	卷盘数量(N)	一箱产品数量
CONN. PART NO.	CONN. QTY./REEL	REEL QTY./CARTON	CONN. QTY./CARTON
TF-109-ARP	1500	8	12000 PCS



- 材料(Material): PET, THICKNESS: 0.35±0.05mm, COLOUR: TRANSPARENT
- 产品/卷盘/数量(PRODUCT/REEL/QTY TABLE)
- 包装ESD要求: 10⁴~10⁹ Ω (包括载带, 盖带, 卷盘)

MANUFACTURE DWG		 东莞市讯普电子科技有限公司 DongGuan XunPu Electronics Co.,Ltd	
UNLESS OTHERWISE SPECIFIED TOLERANCES			TITLE: 1.45MM PUSH MICRO SD CARD CONN.(OPEN)
			PAR TF-109-ARP9
DECIMALS:	ANGLES:		DWN
X.: ±0.50	X.*: ±2°		CHKD
X.X: ±0.20	X.X*: ±1°	APVD	SCALE1:1 UNIT: MM
X.XX: ±0.10		CUSTOMER COPY	SIZE: A4 SHEET: 1F1 REV: A