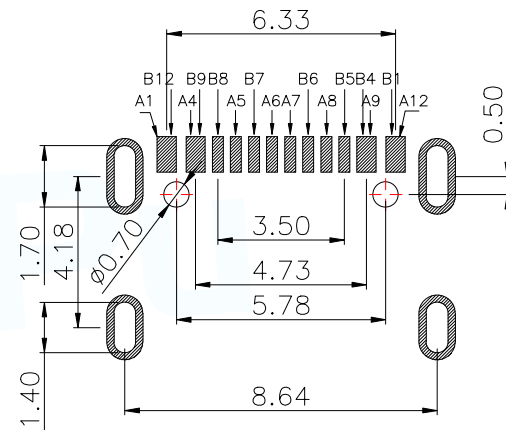
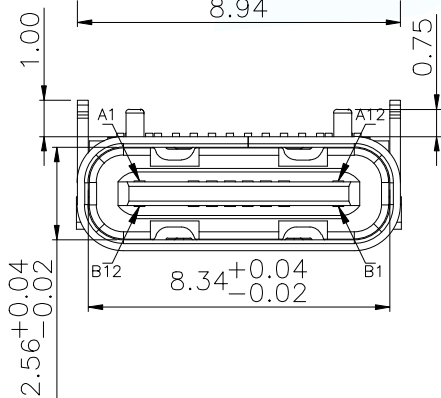


NOTES:
 1.MECHANICAL:MATING FORCE: 5-20N .
 UNMATING FORCE: 8-20N .
 DURABILITY: 10000 CYCLES MIN.
 2.ELECTRICAL:
 CURRENT: 5.0A MAX
 VOLTAGE: 20V MAX
 WITHSTANDING VOLTAGE: 100V AC
 CONTACT RESISTANCE: 40 mΩ MAX INITIAL;
 50 mΩ MAX AFTER 10000 CYCLES
 3.ENVIRONMENTAL:
 OPERATING TEMPERATURE RANGE -30°C ~ +80°C
 4.Salt Spray:48H



RECOMMENDED PCB LAYOUT
 TOP VIEW,TOL±0.05mm



A1	GND	B12	GND
A4	VBUS	B9	VBUS
A5	CC1	B8	SBU2
A6	DP1	B7	DN2
A7	DN1	B6	DP2
A8	SBU1	B5	CC2
A9	VBUS	B4	VBUS
A12	GND	B1	GND
PIN	SIGNAL NAME	PIN	SIGNAL NAME

序号	名称	材料规格
1	Terminal	C7025 TM02 T=0.15mm 电镀全金 Au:GF Ni:50u"
2	Terminal	C7025 TM02 T=0.15mm 电镀全金 Au:GF Ni:50u"
3	Molding 1	LCP+30%G.F黑色 UL94 V-0
4	Molding 2	LCP+30%G.F黑色 UL94 V-0
5	Molding 3	LCP+30%G.F黑色 UL94 V-0
6	Shell	SUS301 1/2H T=0.30mm Ni:50u"

MANUFACTURE DWG

东莞市讯普电子科技有限公司
 DongGuan XunPu Electronics Co.,Ltd

UNLESS OTHERWISE SPECIFIED TOLERANCES



TITLE:
 TYPE C 16PIN L8.35MM

DECIMALS:	ANGLES:
.X:±0.30	.X':±3.0°
.XX:±0.25	.XX':±2.5°
.XXX:±0.15	.XXX':±2.0°

PAR	TYPEC-304C-BCP16
DWN	
CHKD	
APVD	
SCALE1:1	UNIT:MM
SIZE:A4	SHEET:1F1
CUSTOMER COPY	REV:A