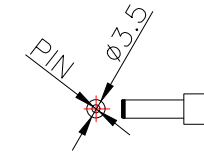
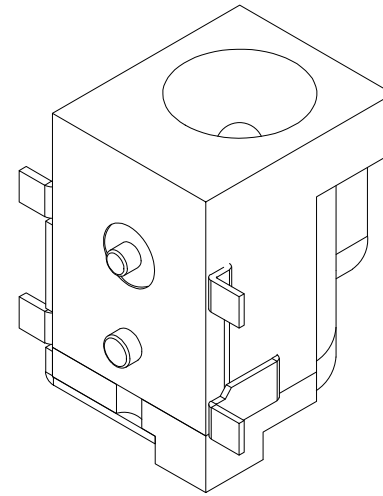
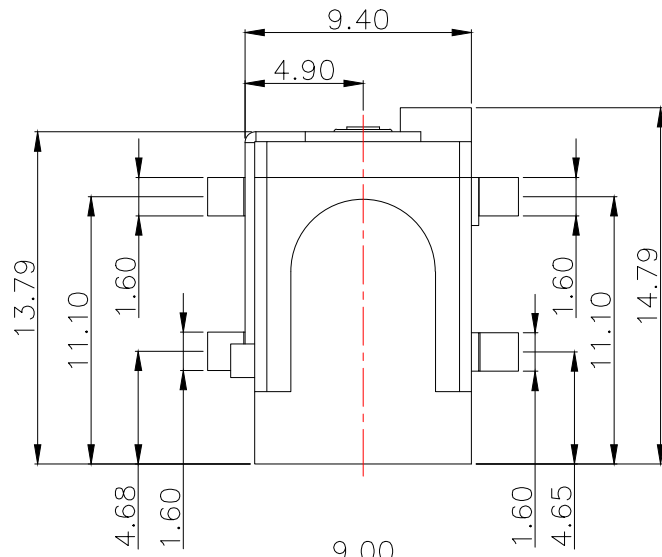
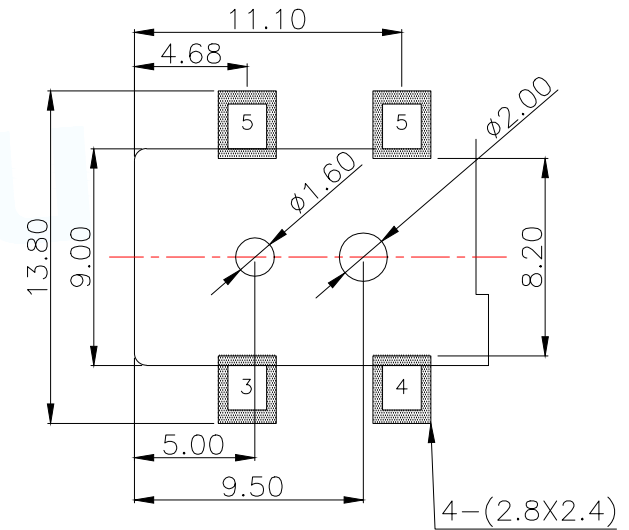
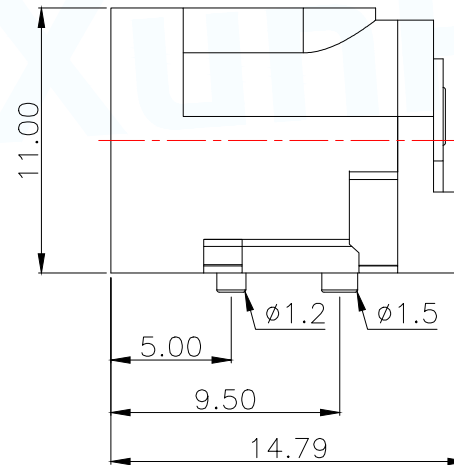
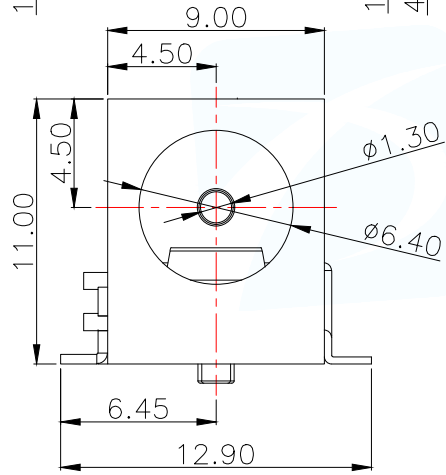


MAPX	MODIFICATION	DATE	DRAW	APPROVE

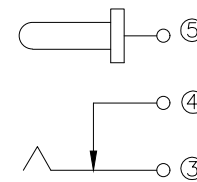


RECOMMEND PULG



PCB.WELDING DRAWING (TOLERANCE:±0.05)

Main technical performance	
Rated electrical load	DC 12V 2A
Contact resistance	≤0.03Ω
Insulation resistance	≥100MΩ DC250V
Pressure resistance	AC 500V 1min
Insertion force	3-30N
Operating temperature range	-40C°~+85C°
service life	5000cycles



SCHEMATIC

2	TIP SPRING	1	PHOSPHOR BRONZE	MB:CuSn PLATED
1	CENTER PIN	1	BRASS	MB:CuSn PLATED
LTR	PART NAME	QTY	MATERIAL	REMARK
MANUFACTURE DWG		东莞市讯普电子科技有限公司 DongGuan XunPu Electronics Co.,Ltd		
UNLESS OTHERWISE SPECIFIED TOLERANCES		TITLE: DC SOCKET		
DECIMALS:		PAR DC-050-B130 DWN CHKD APVD		
X.X±0.30	X.*±5°	SCALE N:A		
X.XX±0.25	X.X*±1°	UNIT:MM		
X.XXX±0.15		SIZE:A4	SHEET:1F1	REV:A