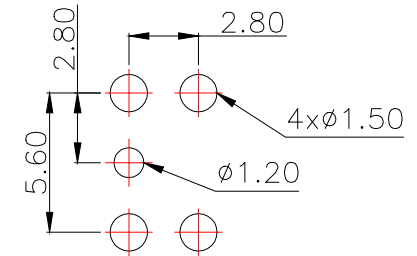
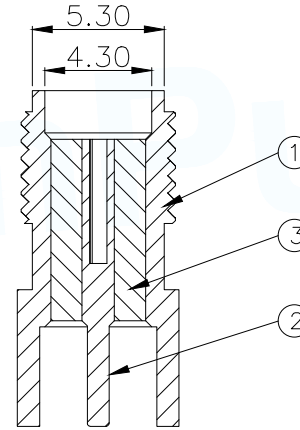
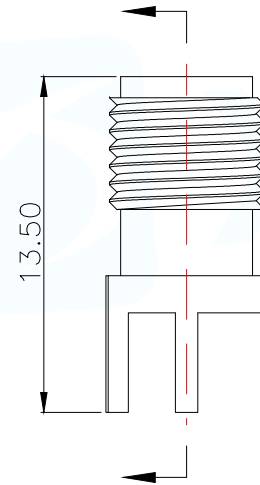
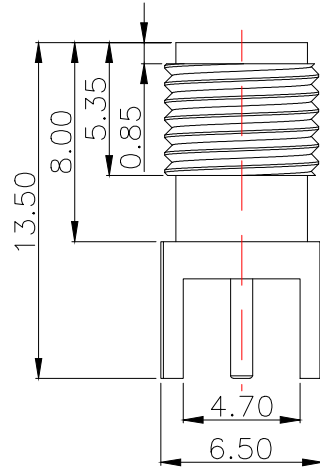
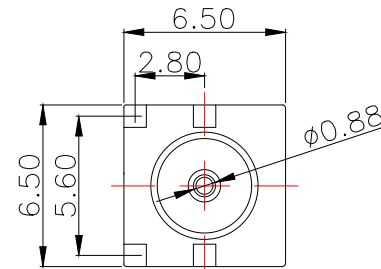


Technical requirements	
Characteristic impedance	50Ω
Frequency range	0-3GHZ
Contact resistance	
Inner conductor	<3mΩ
Outer conductor	<2mΩ
Insulated resistance	≥5000MΩ
Salt spray time	48H
Separation force	≥0.28N
Appearance: no shift point burr scratch surface bright, no dirt, no deformation, etc	



PCB.WELDING DRAWING (TOLERANCE:±0.05)



1	铜座	1	黄铜	镀金
2	平头母针	1	黄铜	镀金
3	绝缘体	1	PTFE	
序号	名称	数量	材料	备注

MANUFACTURE DWG

 东莞市讯普电子科技有限公司
DongGuan XunPu Electronics Co.,Ltd

UNLESS OTHERWISE SPECIFIED TOLERANCES



TITLE:
规格 1.6—半硬内孔—H13.5—L8

DECIMALS: ANGLES:

X.X±0.30 X.*±5°

X.XX±0.25 X.X*±1°

X.XXX±0.15

PAR SMA-KE-347-H13.5-1.6

DWN

CHKD

APVD

SCALE N:A UNIT:MM

SIZE:A4 SHEET:1F1



REV:A