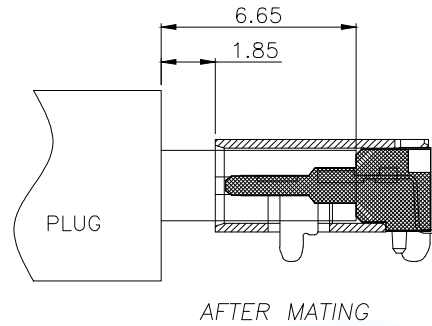


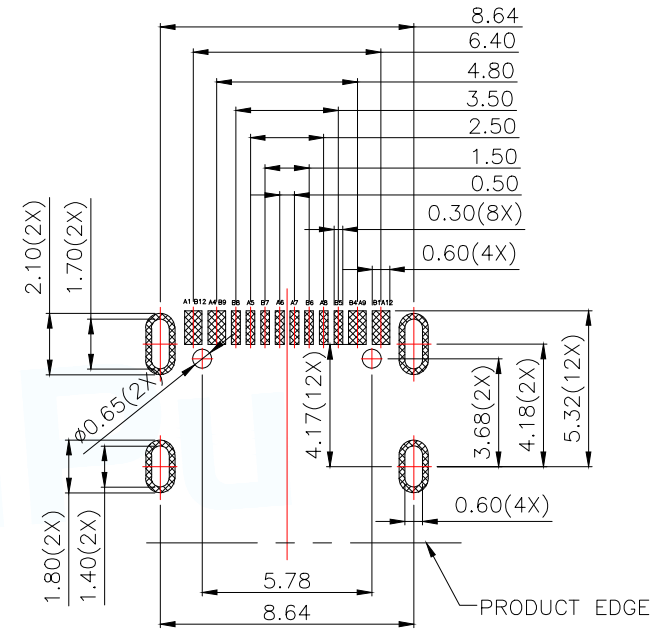
NOTE:

- MATERIAL SPECIFICATION:
 - HOUSING: HIGH TEMPERATURE RESISTANT PLASTIC, UL94 V-0.
 - TERMINAL: COPPER ALLOY (C1814)
 - MID PLATE: STAINLESS STEEL (SUS301)
 - FRONT SHELL: STAINLESS STEEL (SUS304)
- PLATING SPECIFICATION:
 - TERMINAL:
 - Ni 50u" MIN. UNDER PLATED OVER ALL.
 - Au PLATED ON THE FUNCTIONAL AREA OF CONTACT.
 - CONTACT FUNCTIONAL AREA PLATED : Au 3u"
 - CONTACT SOLDER AREA PLATED : Au G/F"
 - FRONT SHELL:
 - Ni 30u" MIN. UNDER PLATED OVER ALL.
 - MID PLATE PLATE:
 - CLEAR ONLY
- MECHANICAL PERFORMANCE,
 - INSERTION FORCE: 0.5~2.0kgf.
 - REMOVAL FORCE: 0.8kgf~2.0kgf.
 - DURABILITY: 10000 CYCLES.
- ELECTRICAL PERFORMANCE,
 - VOLTAGE RATING: 20 V DC/AC (RMS. max)
CURRENT RATING: 5 AMPS. FOR TOTAL VBUS/GND PINS;
1.25AMPS FOR CC PIN, 0.25 AMPS. FOR ALL OTHER CONTACT.
 - LLCR:
 - VBUS & GND PINS AND OTHER PINS: 40mA/PIN MAX.
 - SHIELD: 50mA/MAX.
 - LLCR MAX. CHANGE OF ALL PINS: 10mA.
 - INSULATION RESISTANCE: 100MΩ MIN
 - DIELECTRIC WITHSTAND VOLTAGE, AC 100V FOR 1 MINUTE.
- ENVIRONMENTAL PERFORMANCE:
 - OPERATING TEMPERATURE: -40°C~+85°C.
- IR REFLOW:
 - THE PEAK TEMPERATURE ON THE BOARD SHALL BE MAINTAINED FOR 10 SECONDS AT 260°C.
- DATE CODE: XX XX
 - WEEK
 - YEAR

| | | | |
|---------------------------------------|----------|--|--|
| MANUFACTURE DWG | | 东莞市讯普电子科技有限公司 DongGuan XunPu Electronics Co., Ltd | |
| UNLESS OTHERWISE SPECIFIED TOLERANCES | | | TITLE: USB CF 16PIN (L=7.35) WITH POST |
| DECIMALS: | ANGLES: | | PAR TYPEC-307DSW-ACP16 |
| .X:±0.30 | X':±10° | | DWN |
| .XX:±0.20 | .X':±8° | | CHKD |
| .XXX:±0.10 | .XX':±5° | APVD | SCALE: 1:1 UNIT: MM |
| CUSTOMER COPY | | SIZE: A4 | SHEET: 1F1 REV: A |




AFTER MATING

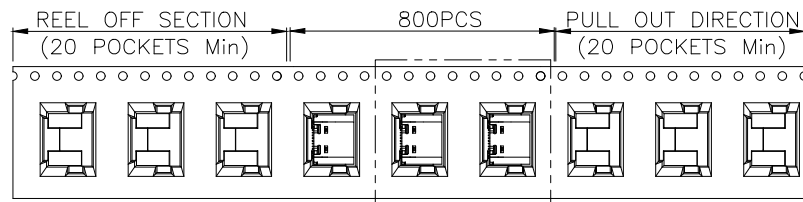


RECOMMENDED PCB LAYOUT(TOP VIEW)
THICKNESS 0.80MM;DEFAULT TOLERANCE:±0.05

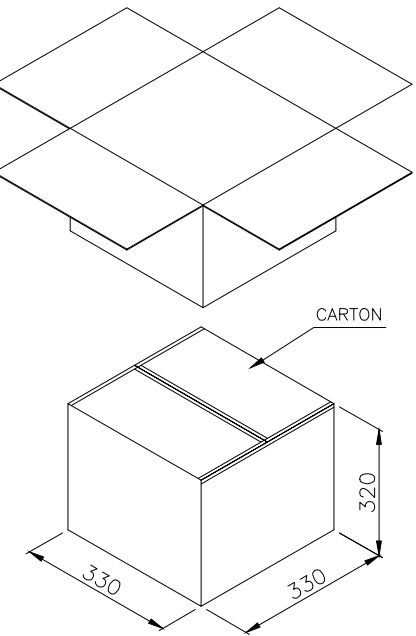
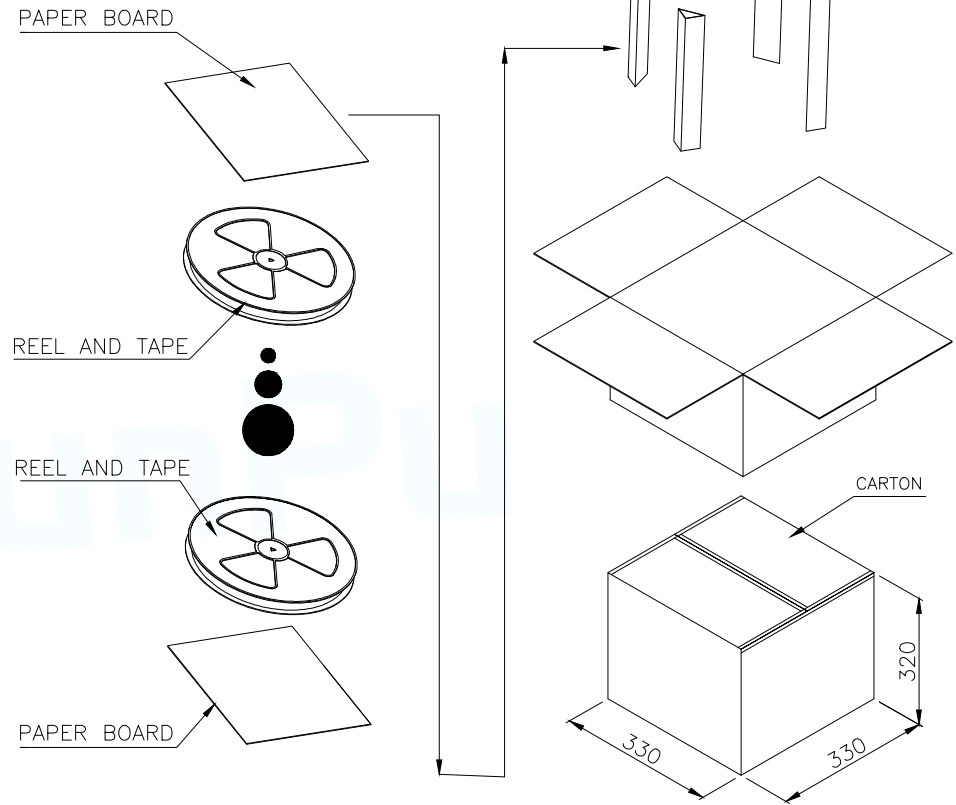
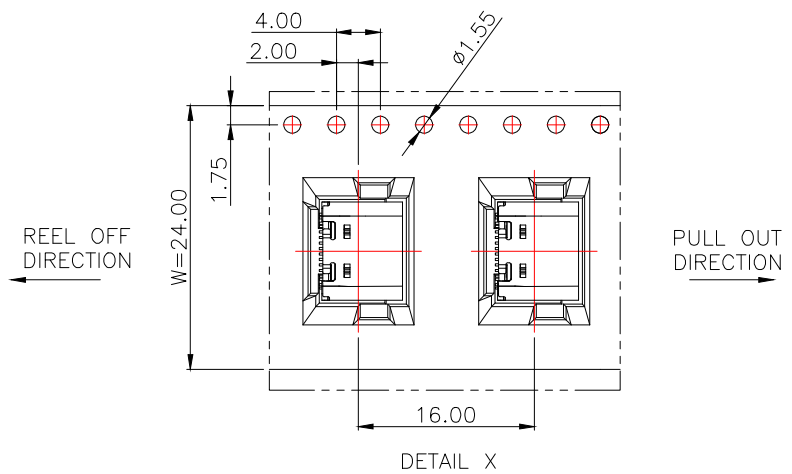
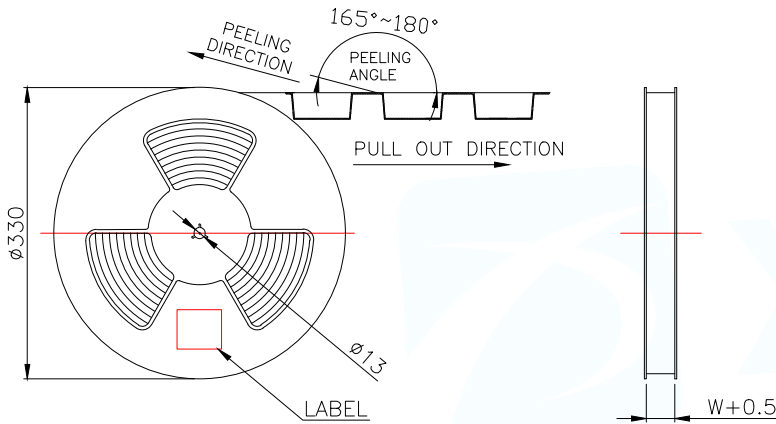
USB TYPE-C PIN ASSIGNMENTS

| PIN NUMBER | SIGNAL NAME | PIN NUMBER | SIGNAL NAME |
|------------|-------------|------------|-------------|
| A1 | GND | B12 | GND |
| A4 | VBUS | B9 | VBUS |
| A5 | CC1 | B8 | SBU2 |
| A6 | Dp1 | B7 | Dn2 |
| A7 | Dn1 | B6 | Dp2 |
| A8 | SBU1 | B5 | CC2 |
| A9 | VBUS | B4 | VBUS |
| A12 | GND | B1 | GND |

| | | | |
|---------------------------------------|----------|---|--|
| MANUFACTURE DWG | |  东莞市讯普电子科技有限公司 DongGuan XunPu Electronics Co.,Ltd | |
| UNLESS OTHERWISE SPECIFIED TOLERANCES | |  | TITLE: USB CF 16PIN (L=7.35) WITH POST |
| DECIMALS: | ANGLES: | | PAR TYPEC-307DSW-ACP16 |
| .X:±0.30 | X':±10° | | DWN |
| .XX:±0.20 | .X':±8° | | CHKD |
| .XXX:±0.10 | .XX':±5° | APVD | SCALE 1:1 UNIT:MM |
| CUSTOMER COPY | | SIZE:A4 | SHEET:1F1 |
| | | | REV:A |



SEE DETAIL X



| | | |
|-----------------|------|--------|
| | REEL | CARTON |
| CONNECTOR (PCS) | 800 | 8000 |

| | | | |
|---------------------------------------|----------|--|-----------|
| MANUFACTURE DWG | | 东莞市讯普电子科技有限公司 DongGuan XunPu Electronics Co.,Ltd | |
| UNLESS OTHERWISE SPECIFIED TOLERANCES | | TITLE: USB CF 16PIN (L=7.35) WITH POST PAR TYPEC-307DSW-ACP16 | |
| DECIMALS: | ANGLES: | DWN | |
| .X:±0.30 | X':±10' | CHKD | |
| .XX:±0.20 | .X':±8" | APVD | |
| .XXX:±0.10 | .XX':±5" | SCALE 1:1 | UNIT:MM |
| | | SIZE:A4 | SHEET:1F1 |
| | | CUSTOMER COPY | REV:A |