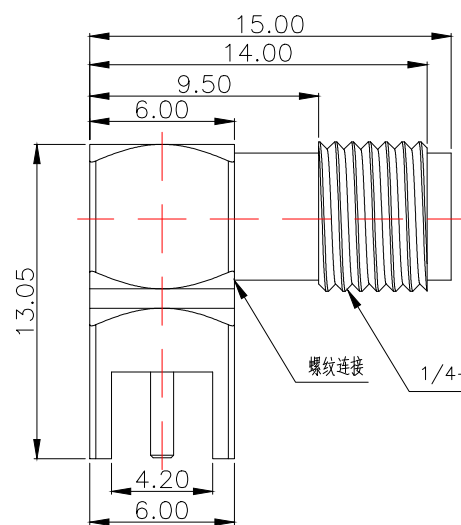
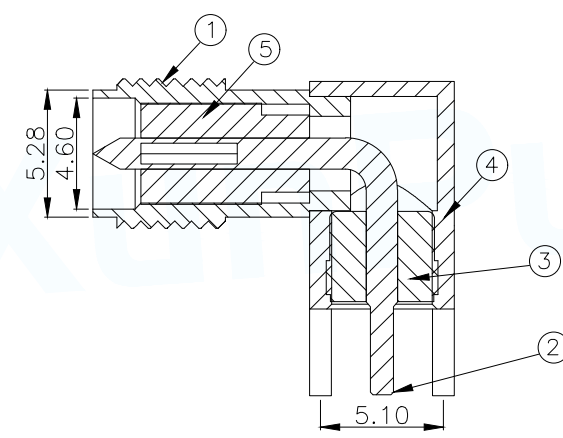
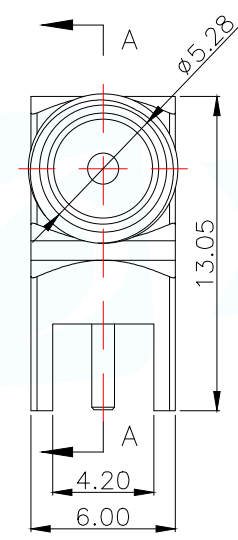


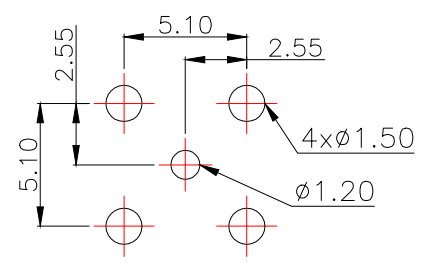
Technical requirements	
Characteristic impedance	50Ω
Frequency range	0-6GHZ
Contact resistance	
Inner conductor	≤3mΩ
Outer conductor	≤2mΩ
Insulated resistance	≥5000MΩ
Salt spray time	48H
Separation force	≥0.28N
Appearance: no shift point burr scratch surface bright, no dirt, no deformation, etc	



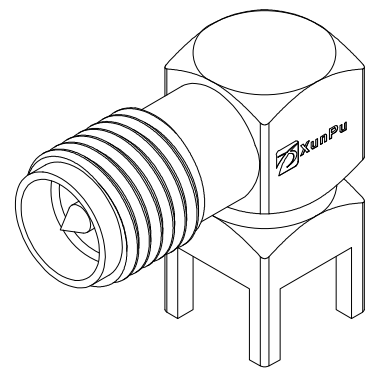
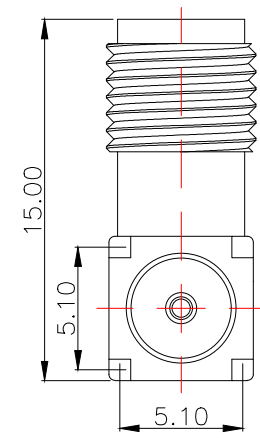
螺纹连接 1/4-36UNS-2A



A-A



PCB.WELDING DRAWING (TOLERANCE:±0.05)



序号	名称	数量	材料	备注
1	铜套	1	黄铜	镀金
2	公针	1	黄铜	镀金
3	绝缘体1	1	PTFE	
4	铜座	1	硅胶	黑色
5	绝缘体2	1	PTFE	

MANUFACTURE DWG		 <b>东莞市讯普电子科技有限公司</b> DongGuan XunPu Electronics Co.,Ltd		
UNLESS OTHERWISE SPECIFIED TOLERANCES			TITLE: 弯头—半螺内针—H15	
DECIMALS:	ANGLES:		PAR	SMA-JWE-324-H13X15-LW
X.X±0.30	X.*±5°		DWN	
X.XX±0.25	X.*±1°		CHKD	
X.XXX±0.15		APVD		
CUSTOMER COPY		SCALE N:A	UNIT:MM	REV:A
		SIZE:A4	SHEET:1F1	