

PIN NO.	DESCRIPTION
P1#	C1:VCC
P2#	C5:GND
P3#	C2:RST
P4#	C6:VPP
P5#	C3:CLK
P6#	C7:I/O
P7#	CD1/CD2
P8#	

RECOMMENDED P.C.B LAYOUT
COMPONENT SIDE(TOLERANCE ±0.05)

▨ PAD AREA
▤ KEEP AREA
▩ KEEP OUT AREA

ITEM	PART NAME	Q'TY	MATERIAL	FINISH
1	HOUSING	1	Hi-temp thermoplastic	Black UI94V-0
2	SHELL	1	Stainless Steel	SMT area:Gold plated
3	DATA CONTACT	1	Copper Alloy	Contact area:Gold plated
4	HEART CAM	1	Hi-temp thermoplastic	Black UL94V-0
5	COLL SPRING	1	SWP.	
6	CAM PIN	1	Stainless Steel	
7	CD2 SWITCH	1	Copper Alloy	Contact area Gold plated

ELECTRIC FUNCTION	DETECT SWITCH
WITHOUT CARD	OPEN
CARD INSERTED	CLOSED



SWITCH OPERATION DIAGRAM

NOTES:

MATERIAL:

Insulator: High Temperature Thermoplastic, UL 94V-0.
Contact: Copper Alloy
CD PIN: Copper Alloy
Shell: STAINLESS

Electrical:

Current Rating :0.5mA AC/DC max.
Voltage Rating :10V AC/DC
Ambient Temperature Range :-40°C~+85°C
Storage Temperature Range :-40°C~+85°C
Ambient Humidity Range :95% R.H. Max.
Contact Resistance:100mΩ max.
Insulation Resistance:1000MΩ min./500VDC
Mating Cycles:5,000 Insertions
Temperature: 260°C ±5°

MANUFACTURE DWG



UNLESS OTHERWISE SPECIFIED TOLERANCES

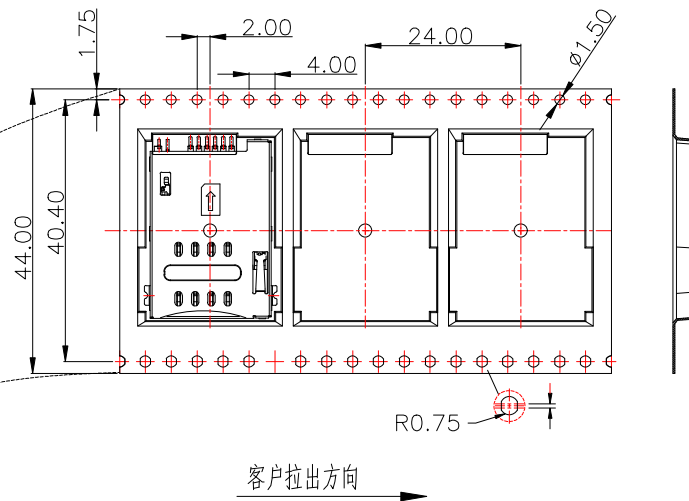


TITLE:
SIM PUSH H1.8 6+2 无客户图

PAR	SIM-132-ARP8
DWN	
CHKD	
APVD	
SCALE:1:1	UNIT:MM
SIZE:A4	SHEET:1F1
	REV:A

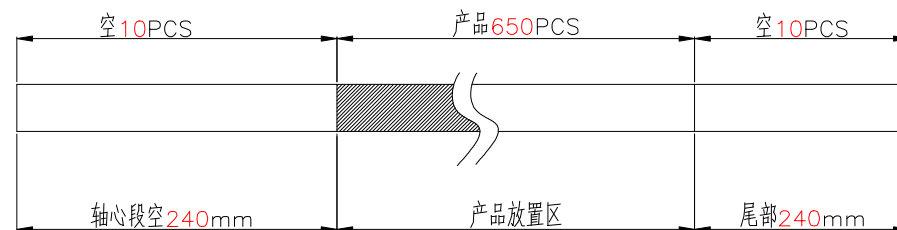
DECIMALS:	ANGLES:
.X:±0.30	X':±2'
.XX:±0.20	X.X':±1'
.XXX:±0.10	

Website address

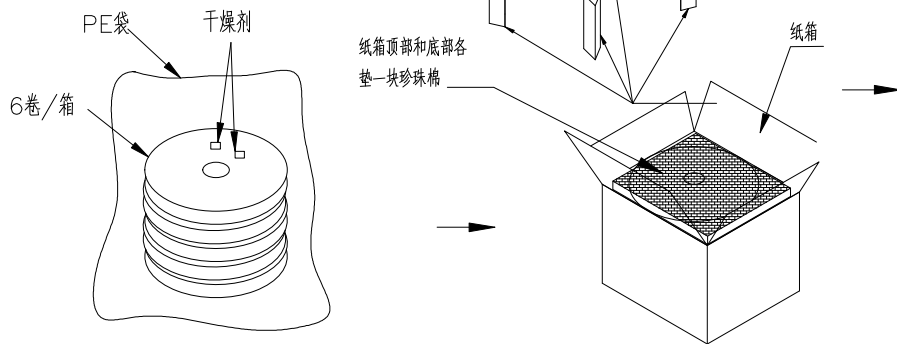
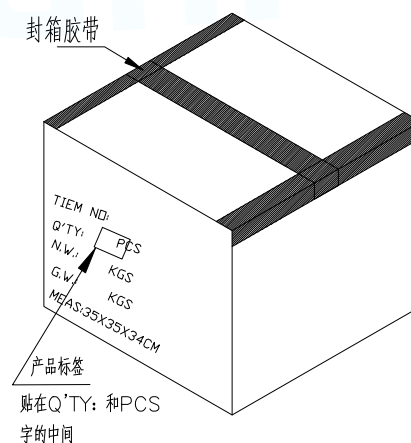
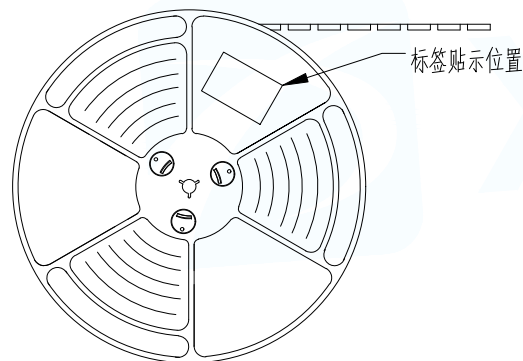


NOTES

1. 每卷包装数量: 650PCS/每卷
2. 卷带包装方式:



3. 每箱包装数量: 3900PCS/箱



MANUFACTURE DWG		 东莞市讯普电子科技有限公司 DongGuan XunPu Electronics Co.,Ltd	TITLE: SIM PUSH H1.8 6+2 无柱客户图	
UNLESS OTHERWISE SPECIFIED TOLERANCES			PAR	SIM-132-ARP8
DECIMALS:	ANGLES:	DWN		
.X:±0.30	X.':±2'	CHKD		
.XX:±0.20	X.X':±1"	APVD		
.XXX:±0.10		SCALE1:1	UNIT:MM	
		Website address	SIZE:A4	SHEET:1F1
				REV:A