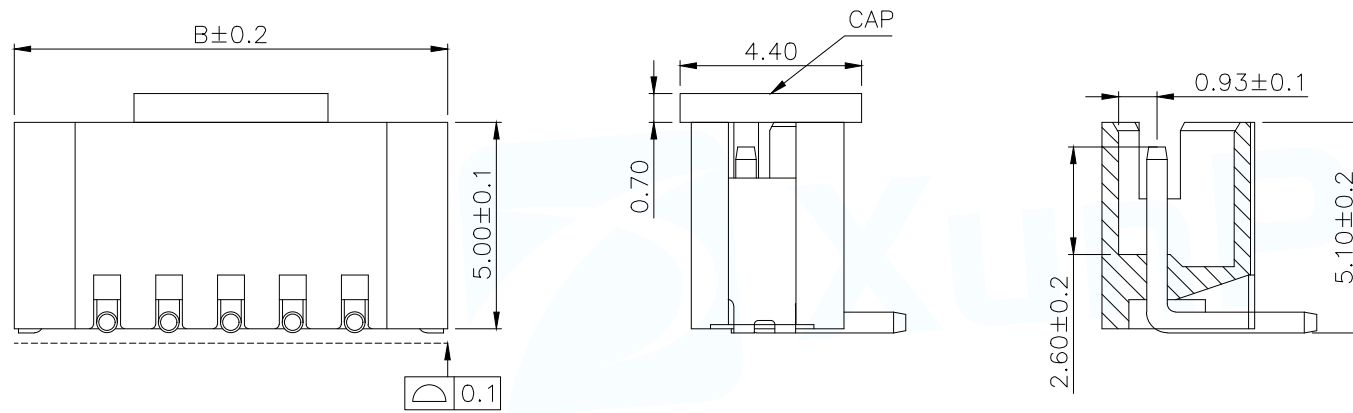


Part No	Pin	A	B	C
WAFER-150L-2P	2	1.50	6.00	3.65
WAFER-150L-3P	3	3.00	7.50	5.15
WAFER-150L-4P	4	4.50	9.00	6.65
WAFER-150L-5P	5	6.00	10.50	8.15
WAFER-150L-6P	6	7.50	12.00	9.65
WAFER-150L-7P	7	9.00	13.50	11.15
WAFER-150L-8P	8	10.50	15.00	12.65
WAFER-150L-9P	9	12.00	16.50	14.15
WAFER-150L-10P	10	13.50	18.00	15.65
WAFER-150L-11P	11	15.00	19.50	17.15
WAFER-150L-12P	12	16.50	21.00	18.65
WAFER-150L-13P	13	18.00	22.50	20.15
WAFER-150L-14P	14	19.50	24.00	21.65
WAFER-150L-15P	15	21.00	25.50	23.15
WAFER-150L-16P	16	22.50	27.00	24.65

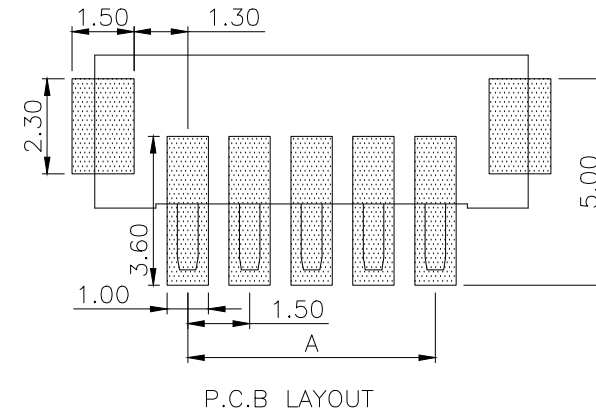
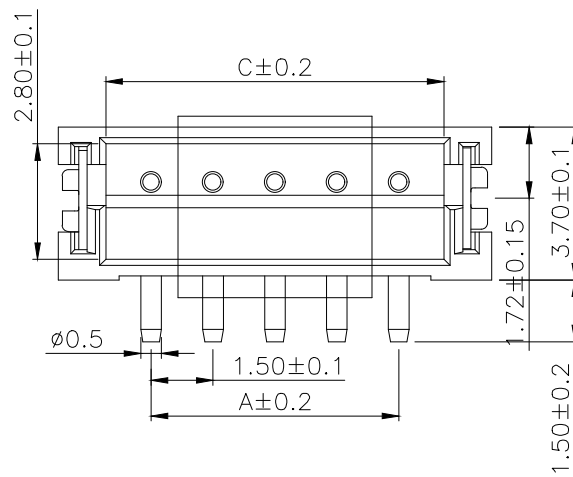


NOTES:

- 1.BASE: LCP
- 2.PIN: Brass
- 3.Solder Tab: Brass

SPECIFICATIONS:

- 1.Spacing: 1.5
- 2.Voltage Rating: 250V AC DC
- 3.Current Rating: 1A AC DC
- 4.Insulation Resistance: 500MΩ Min
- 5.Contact Resistance: 20mΩ Max
- 6.Withstanding voltage: 500V AC 1/Minute
- 7.Temperatuer Range: -25℃ ~+ 85℃



MANUFACTURE DWG		东莞市讯普电子科技有限公司 DongGuan XunPu Electronics Co.,Ltd	
UNLESS OTHERWISE SPECIFIED TOLERANCES			TITLE: WAFER 1.50 立贴
			PAR WAFER-150L-NP
			DWN
			CHKD
DECIMALS:	ANGLES:		
X.:±0.2	X':.:±5°		
.X.:±0.1	X.X':.:±3°		
.XX.:±0.05	X.XX':.:±1°		
CUSTOMER COPY		SCALE:1:1	UNIT:MM
		SIZE:A4	SHEET:1F1
			REV:A