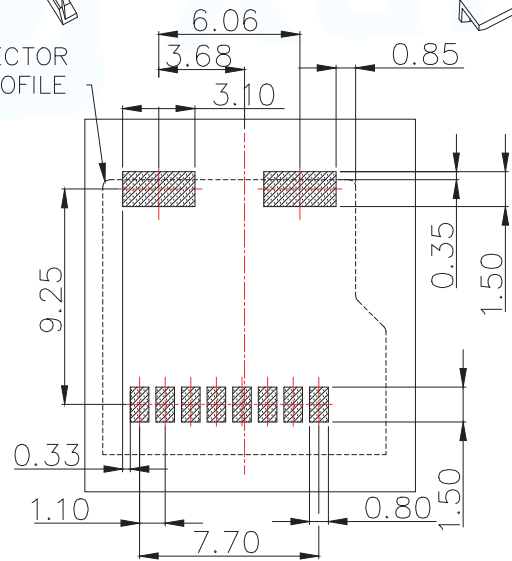


CONNECTOR PROFILE



▨ PAD AREA  
 ■ KEEP OUT AREA

RECOMMENDED PCB LAYOUT  
 GENERAL TOLERANCE ±0.05

NOTES:

1.MATERIAL:

HOUSING: LCP E130I,UL 94V-0,30%G/F FILLED;  
 COLOR:BLACK  
 CONTACT: COPPER ALLOY T=0.15MM  
 GROUND: COPPER ALLOY T=0.15MM

2.FINISH:

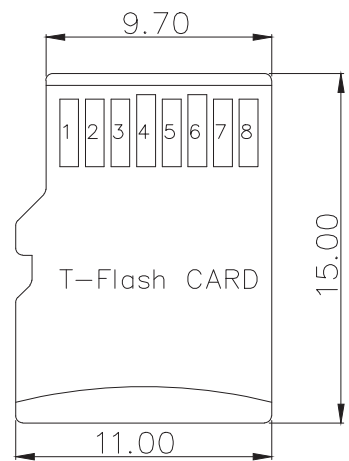
CONTACT: 1U" GOLD PLATING ON CONTACT AREA  
 TIN 100U" MIN PLATING ON SOLDER TAILS  
 50U" MIN NICKEL UNDERPLATING OVER ALL  
 GROUND: SN 100U" MIN PLATING ON SOLDER TAILS  
 50U" MIN NICKEL UNDERPLATING OVER ALL

3.PRODUCT SPECIFICATIONS:

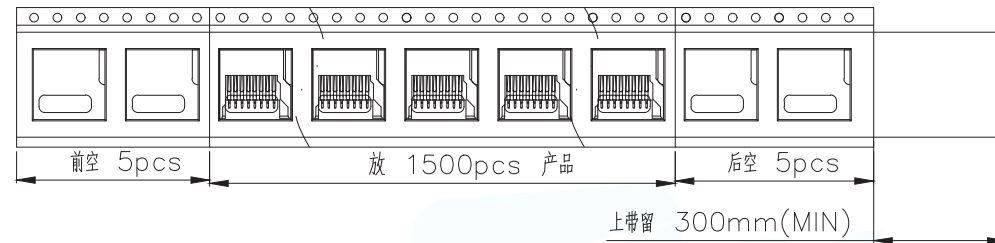
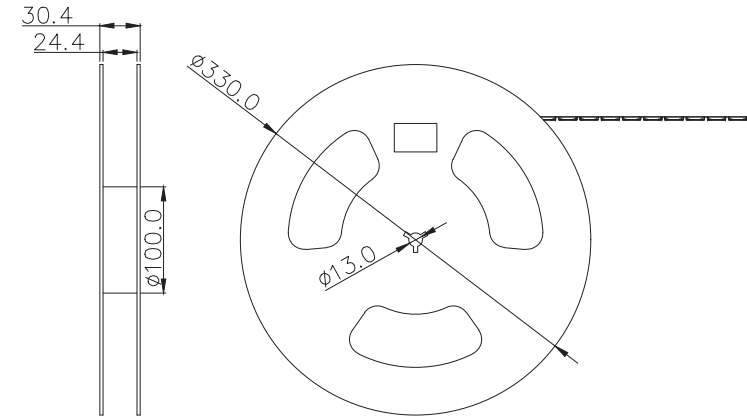
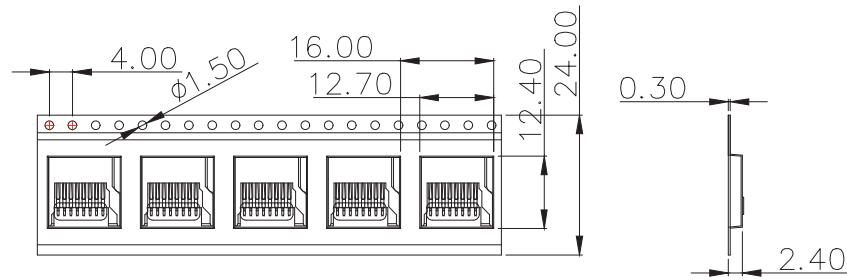
VOLTAGE RATING: 50V  
 CURRENT RATING: 0.5A  
 INSULATION RESISTANCE: 500MEG.OHM MIN  
 CONTACT RESISTANCE: 50 MILL.OHM MAX  
 OPERATION TEMPERATURE: -20° TO +85°  
 DURABILITY: 5000 CYCLES

TF CARD PIN DEFINE

PIN NO.	NAME	YTYPE	DESCRIPTION
1	DAT2	I/O/PP	DATE LINE(BIT2)
2	CD/DAT3	I/O/PP	CARD DETECT DATE LIN(BIT3)
3	CMD	PP	COMMAND RESPONSE
4	VDD	S	SUPPLY VOLTAGE
5	CLX	I	CLOCK
6	VSS	S	SUPPLY VOLTAGE GROUND
7	DAT0	I/O/PP	DATE LINE(BIT0)
8	DAT1	I/O/PP	DATE LINE(DIT1)

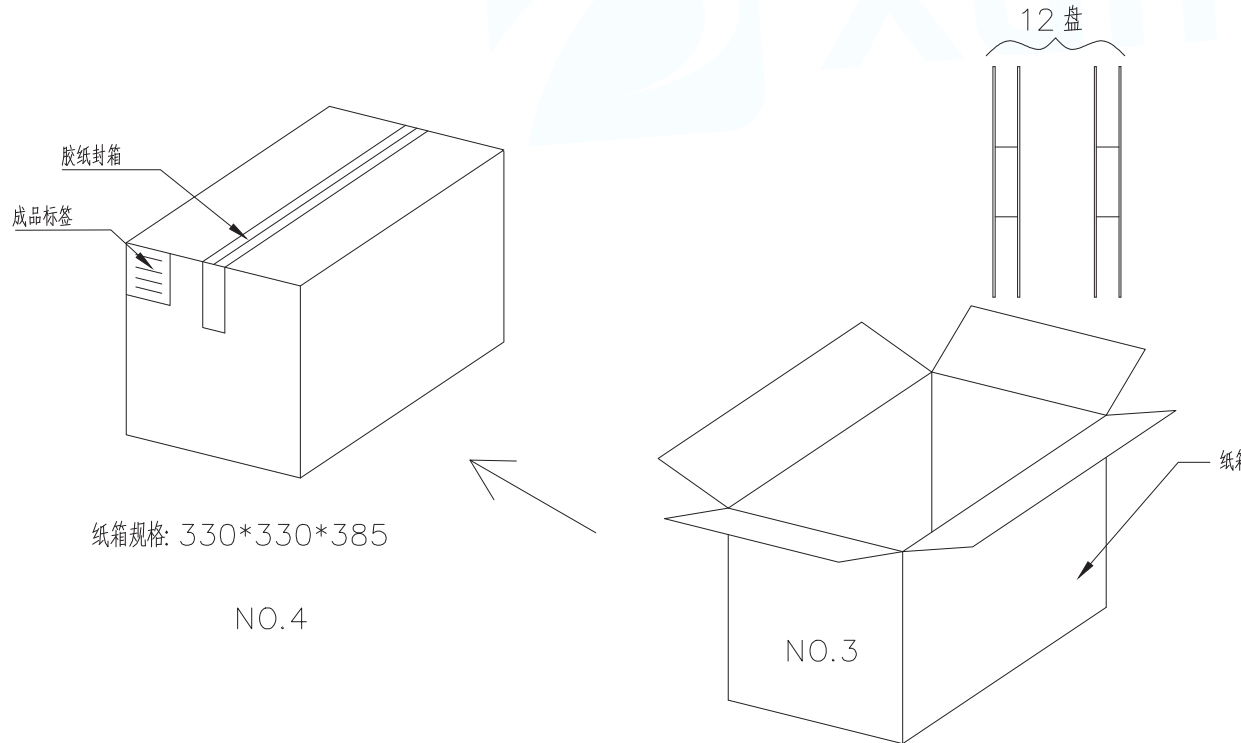


MANUFACTURE DWG				
UNLESS OTHERWISE SPECIFIED TOLERANCES			TITLE: T-FLASH CARD 简易全塑卡座	
DECIMALS:	ANGLES:	PAR	TF-104-ARP8	
.X: ±0.35	X.°: ±5°	DWN		
.XX: ±0.25	.X.°: ±3°	CHKD		
.XXX: ±0.15	.XX.°: ±2°	APVD		
CUSTOMER COPY		SCALE: 1:1	UNIT: MM	⊕
		SIZE: A4	SHEET: 1F1	REV: A



NO.1

NO.2



1. 材质要求:

- 1.1 纸箱的材质为K=K;外形尺寸为33\*33\*38.5;
- 1.2 卷盘的材质为PS,卷盘的外形尺寸为 $\phi 330 \times 30.4$ ;
- 1.3 卷带的材质为PS,卷带的外形尺寸为24160\*24.00\*2.4mm;

2. 包装方式:

- 2.1 将卷带放入包装机后,前空5PCS,后放产品1500PCS,再后空5PCS;上带留300MM长度。
- 2.2 将包装好的产品从包装机上取下并包装好;
- 2.3 把累叠好的12盘放入纸箱中共计18Kset;
- 2.4 把包装好的成品打包封箱,并在纸箱外贴上标签

MANUFACTURE DWG		东莞市讯普电子科技有限公司 DongGuan XunPu Electronics Co.,Ltd	
UNLESS OTHERWISE SPECIFIED TOLERANCES			TITLE: T-FLASH CARD简易全塑卡座
DECIMALS:	ANGLES:		PAR TF-104-ARP8
X.: $\pm 0.5$	.X': $\pm 3'$		DWN
X.X: $\pm 0.20$	.XX': $\pm 2'$		CHKD
X.XX: $\pm 0.10$		APVD	SCALE: 1:1 UNIT: MM
CUSTOMER COPY		SIZE: A4	SHEET: 1F1 REV: A