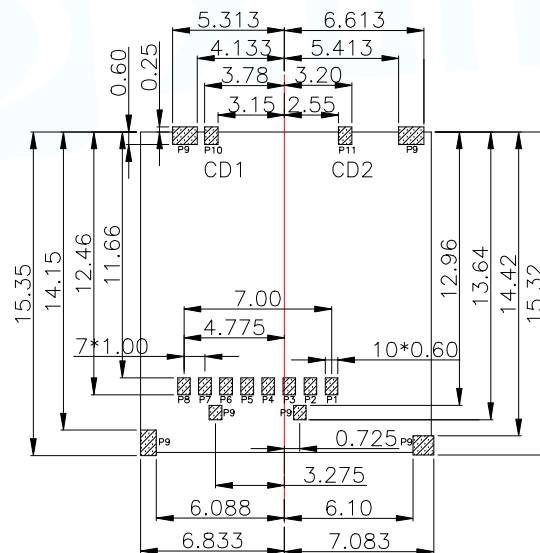
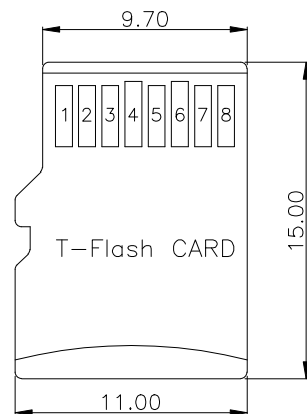
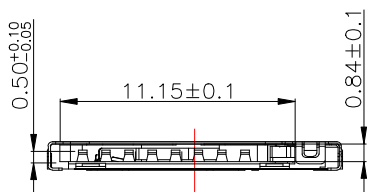
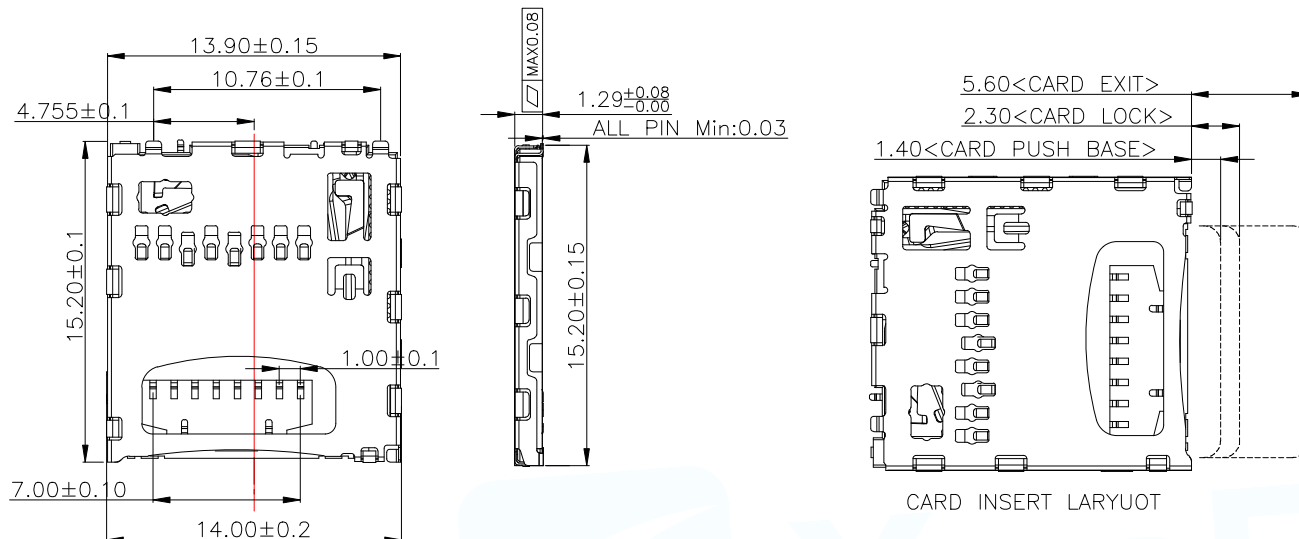




12	13	14	15
MAPX	MODIFICATION	DATE	DRAW APPROVE

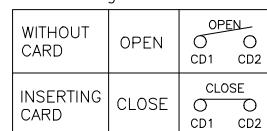
NOTES:

- ELECTRICAL:
 - VOLTAGE: 100V AC
 - CURRENT: 0.5A MAX
 - CONTACT RESISTANCE: 40MΩ MAX
 - VOLTAGE PROOF: 500V AC
 - INSULATION RESISTANCE: 1000MΩ MIN
- MECHANICAL:
 - CARD INSERTION/WITHDRAWAL FORCE: 10N MAX
 - PUSH IN STRENGTH: 10N
 - DURABILITY: 10,000 CYCLES
- MATERIAL:
 - HOUSING: LCP UL94V-0 BLACK
 - SLIDE: LCP UL94V-0 BLACK
 - LATCH: PHOSPHOR BRONZE
 - CONTACT: PHOSPHOR BRONZE
 - SHELL: STAINLESS STEEL
 - SPRING: STAINLESS STEEL
 - CRANK-AXLE: STAINLESS STEEL



 PAD AREA
 KEEP OUT AREA
 RECOMMENDED PCB LAYOUT
 GENERAL TOLERANCE ±0.05

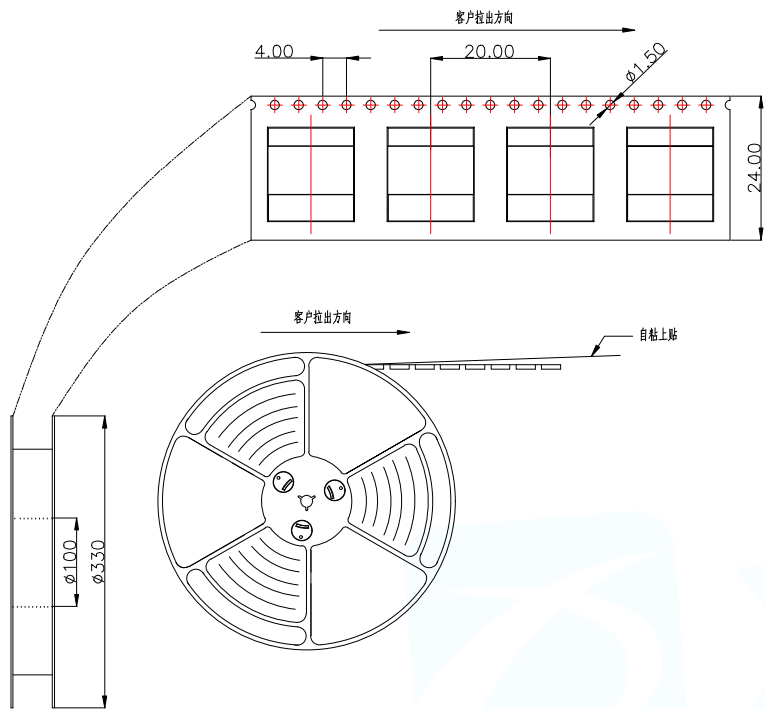
Circuit Diagram for Detect Switch



TF CARD PIN DEFINE			
PIN NO.	NAME	TYPE	DESCRIPTION
1	DAT2	I/O/PP	DATE LINE(BIT2)
2	CD/DAT3	I/O/PP	CARD DETECT DATE LIN(BIT3)
3	CMD	PP	COMMAND RESPONSE
4	VDD	S	SUPPLY VOLTAGE
5	CLX	I	CLOCK
6	VSS	S	SUPPLY VOLTAGE GROUND
7	DAT0	I/O/PP	DATE LINE(BIT0)
8	DAT1	I/O/PP	DATE LINE(DIT1)
9	GND		
10	COMMON		CD1
11	DETECT SW(GND)		CD2

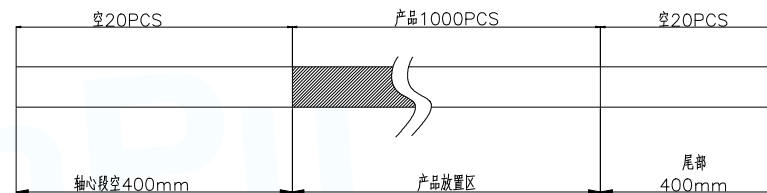
MANUFACTURE DWG		 东莞市讯普电子科技有限公司 DongGuan XunPu Electronics Co.,Ltd	TITLE:T-FLASH CARD PUSH PUSH H1.29	
UNLESS OTHERWISE SPECIFIED TOLERANCES			PAR	TF-106-ARP10
DECIMALS:	ANGLES:	DWN		
.X:±0.30	X':±2'	CHKD		
.XX:±0.25		APVD		
.XXX:±0.10		SCALE1:1	UNIT:MM	
		CUSTOMER COPY	SIZE:A4	
			SHEET:1F1	
			REV:A	

MAPX	MODIFICATION	DATE	DRAW	APPROVE

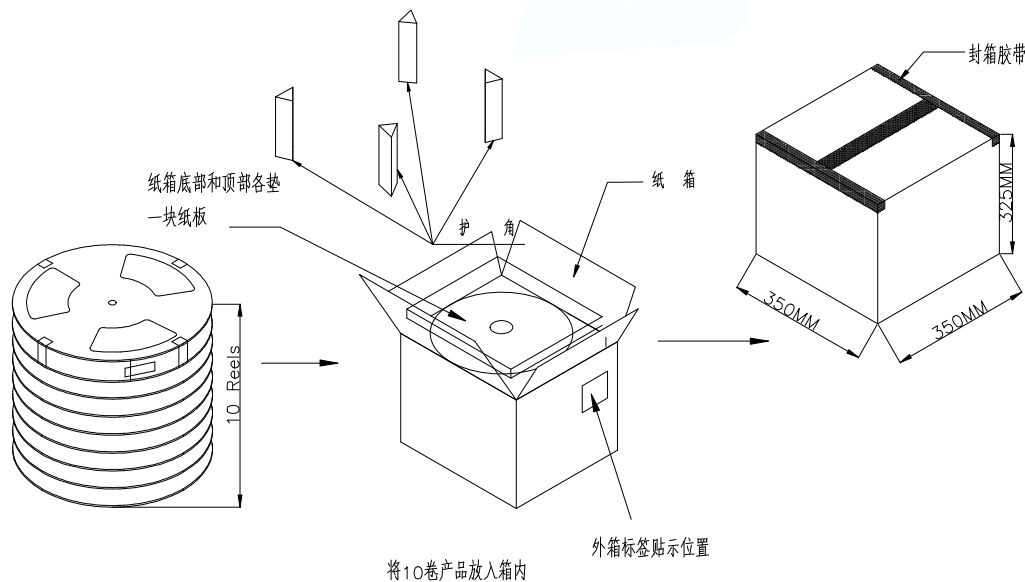


NOTES

- 1.每卷包装数量:1000PCS/每卷
- 2.卷带包装方式:



- 3.每箱包装数量:10000PCS/箱



MANUFACTURE DWG			 东莞市讯普电子科技有限公司 DongGuan XunPu Electronics Co.,Ltd	
UNLESS OTHERWISE SPECIFIED TOLERANCES			TITLE:T-FLASH CARD PUSH PUSH H1.29	
DECIMALS:	ANGLES:	PAR	TF-106-ARP10	
.X:±0.30	X.' :±2'	DWN		
.XX:±0.25		CHKD		
.XXX:±0.10		APVD		
CUSTOMER COPY		SCALE1:1	UNIT:MM	
		SIZE:A4	SHEET:1F1	REV:A