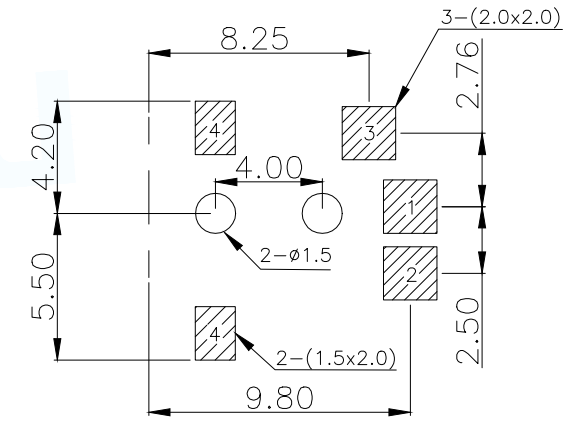
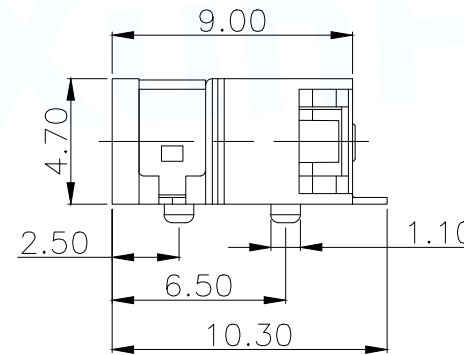
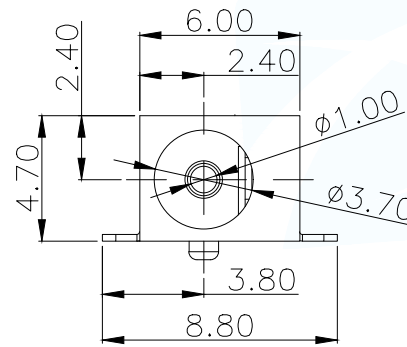
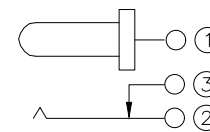


RECOMMEND PULG



PCB.WELDING DRAWING (TOLERANCE:±0.05)

Main technical performance	
Rated electrical load	DC 12V 2A
Contact resistance	≤0.03Ω
Insulation resistance	≥100MΩ DC250V
Pressure resistance	AC 500V 1min
Insertion force	3-30N
Operating temperature range	-20C°~+70C°
service life	5000cycles



SCHMATIC

LTR	PART NAME	QTY	MATERIAL	REMARK
4	TERMINAL	1	BRASS	MB:CuSn PLATED
3	HOUSING	1	PPA	BLACK
2	TIP SPRING	1	PHOSPHOR BRONZE	MB:CuSn PLATED
1	CENTER PIN	1	BRASS	MB:CuSn PLATED

MANUFACTURE DWG



UNLESS OTHERWISE SPECIFIED TOLERANCES



TITLE: DC SOCKET

DECIMALS:	ANGLES:
X.X±0.30	X.*±5°
X.XX±0.25	X.X*±1°
X.XXX±0.15	

PAR	DC-045B-B100
DWN	
CHKD	
APVD	
SCALE: N/A	UNIT:MM
SIZE:A4	SHEET:1F1
CUSTOMER COPY	REV:A