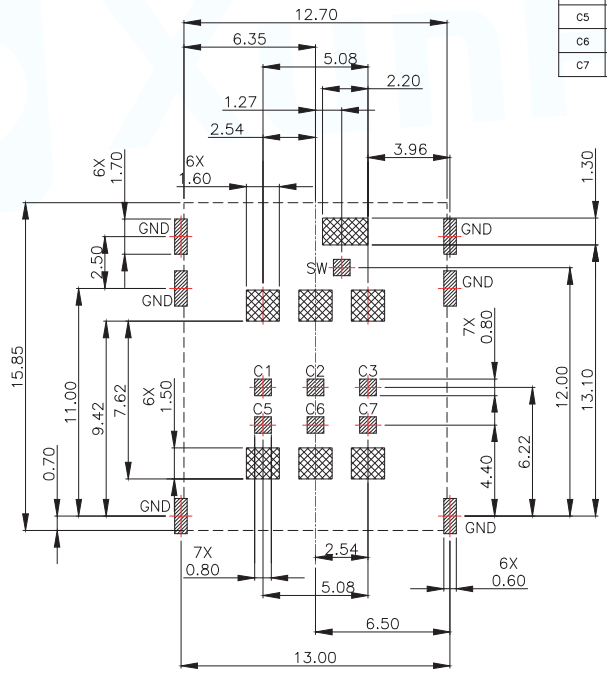
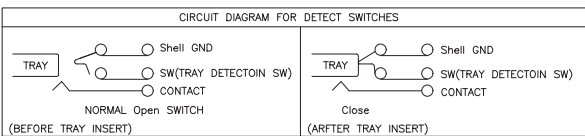


Pin No.	ASSIGNMENT
C1	VCC(SUPPLY VOLTAGE)
C2	RST(RESET SIGNAL)
C3	CLK(CLOCK SIGNAL)
SW	Detect Switch
C5	GND
C6	VPP(VARIABLE SUPPLY VOLTAGE)
C7	I/O(DATA INPUT/OUTPUT)

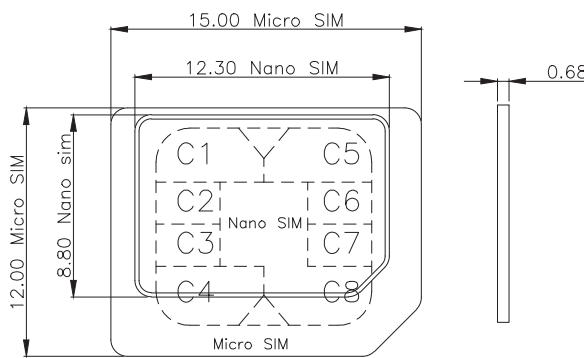
**TECHNICAL CHARACTERISTICS**

- General Characteristics**  
 Dimensions: 12.85L\*17.20W\*1.38Hmm  
 TRAY MATING FORCE: 2-10N  
 TRAY UNMATING FORCE: 4-10N  
 Durability: 1,500 Cycles min.
- Electrical Characteristics**  
 Contact resistance: 50mΩ typical, 100mΩ Max
- Solderability**  
 Vaporphase: 215°C, 30sec. Max  
 IR reflow: 260°C, 5sec. Max  
 Manual soldering: 370°C, 3sec. Max
- Environmental Characteristics**  
 Operating temperature: -40°C ~ +85°C  
 Operating humidity: 10% ~ +95%RH



RECOMMENDED P.C.B LAYOUT  
 COMPONENT SIDE (TOLERANCE ±0.05)

- PAD AREA
- KEEP AREA
- NO PATTERN AND VIA HOLE IN THIS AREA



ITEM	PART NAME	Q'TY	MATERIAL	FINISH
1	HOUSING	1	Hi-temp Thermoplastic	Black UL94V-0
2	CONTACT	1	Copper Alloy	Contact area: Gold plated
3	SHELL	1	Stainless Steel	Solder area: Gold plated

MANUFACTURE DWG

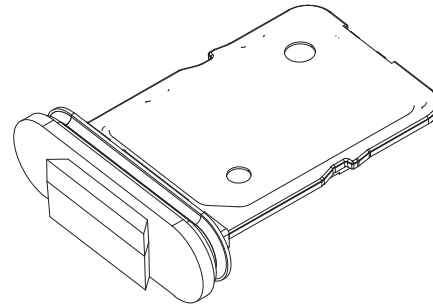
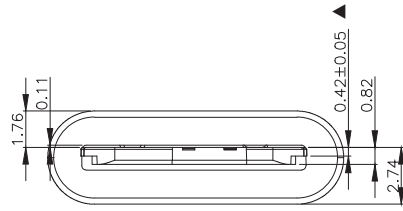
UNLESS OTHERWISE SPECIFIED TOLERANCES

DECIMALS:	ANGLES:
X.: ±0.35	X': ±2°
X.X: ±0.15	X.X': ±1°
X.XX: ±0.10	

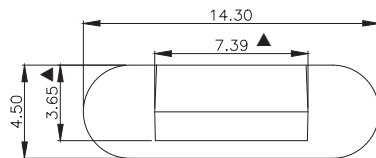
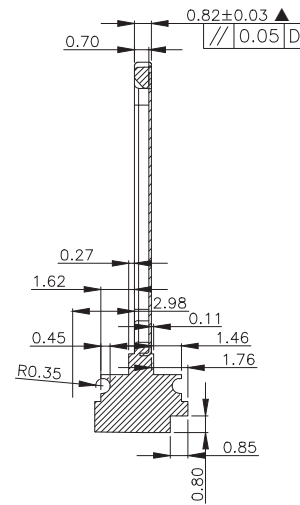
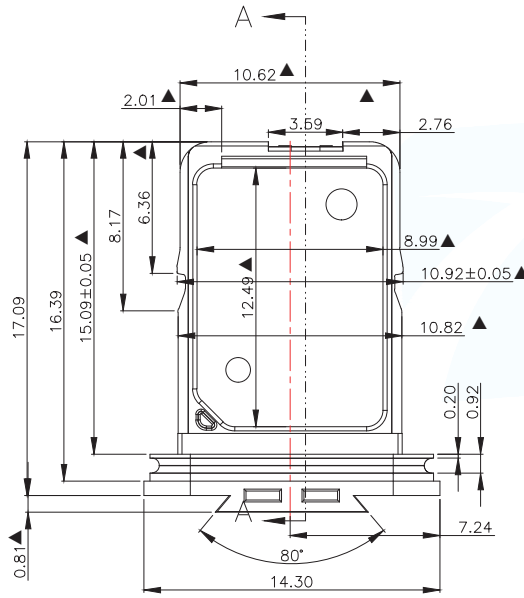
TITLE: NANO SIM CARD 7PIN 1.38H CONN.

PAR	SMN-329-ARP7
CHKD	
APVD	
SCALE: 1:1	UNIT: MM
SIZE: A4	SHEET: 1F1
CUSTOMER COPY	REV: A

东莞市讯普电子科技有限公司  
 DongGuan XunPu Electronics Co., Ltd

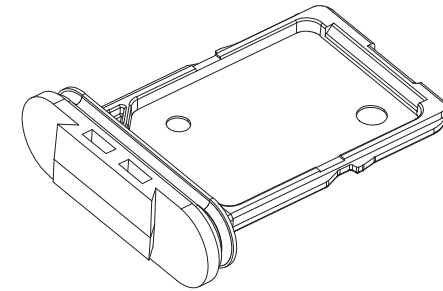


如需防水需装配防水胶圈



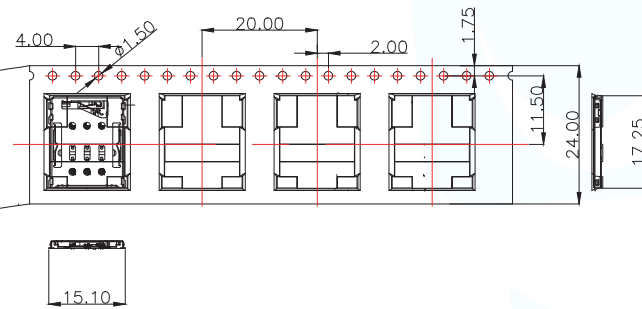
产品要求:

- 1.材料:(外壳)SUS301-H T=0.12mm  
(塑胶)PA66 黑色 UL94V-0
- 2.耐久性:10000 CYCLES MIN.
- 3.绝缘电阻:100M $\Omega$  MIN
- 4.工作温度:-30 $^{\circ}$ T0 +80 $^{\circ}$
- 5.除特别规定外,图中未注圆角均为R0.2.
- 6.详细数据以三维档为准.
- 7.未注尺寸公差请参考图框一般公差标准
- 8.重点尺寸标识"▲"符号



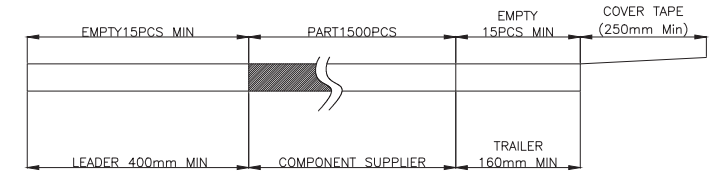
MANUFACTURE DWG		 东莞市讯普电子科技有限公司 DongGuan XunPu Electronics Co.,Ltd	
UNLESS OTHERWISE SPECIFIED TOLERANCES			TITLE: NANO SIM 防水卡托(侧面燕尾槽)
			PAR SMN-329-KT1
DECIMALS:	ANGLES:		DWN
X.:±0.35	X.':±2'		CHKD
X.X:±0.15	X.X':±1'	APVD	SCALE:1:1
X.XX:±0.10		CUSTOMER COPY	UNIT:MM
			SIZE:A4
			SHEET:1F1
			REV:A

USER DIRECTION OF UNREELING



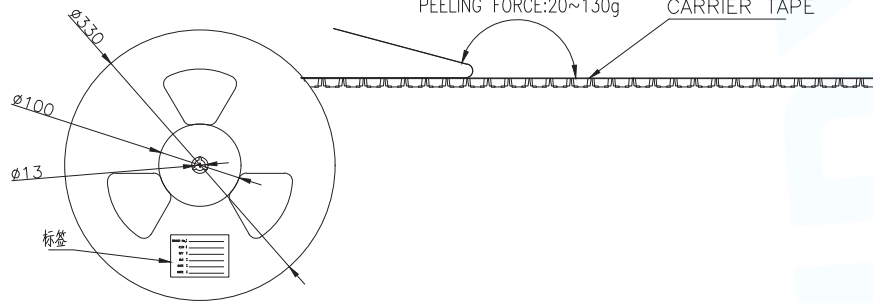
NOTES

1. NUMBER OF CONNECTORS:1500PCS/REEL
2. LEAD TAPE LENGTH



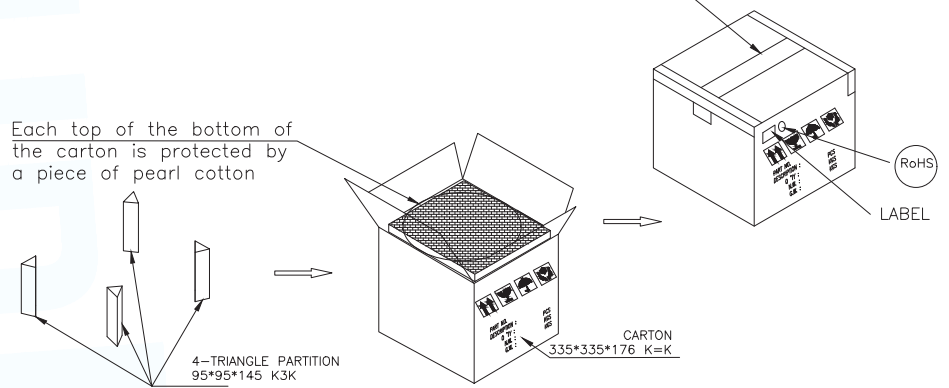
3. QUANTITY:15000PCS/CARTON

COVER TAPE PEELING ANGLE:165°~180°  
PEELING FORCE:20~130g

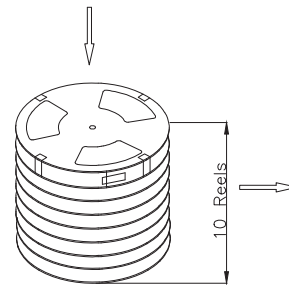
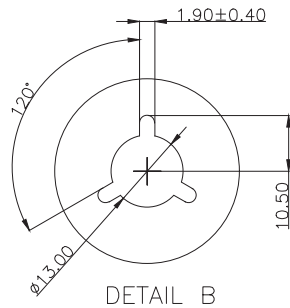


Tape type sealing box

Each top of the bottom of the carton is protected by a piece of pearl cotton



10 rolls per carton



MANUFACTURE DWG		东莞市讯普电子科技有限公司 DongGuan XunPu Electronics Co.,Ltd	
UNLESS OTHERWISE SPECIFIED TOLERANCES		TITLE:NANO SIM CARD 7PIN 1.38H CONN. 包装	
DECIMALS:	ANGLES:	PAR	SMN-329-包装
X.:±0.35	X'.:±2°	DWN	
X.X:±0.15	X.X':±1°	CHKD	
X.XX:±0.10		APVD	
CUSTOMER COPY		SCALE:1:1	UNIT:MM
		SIZE:A4	SHEET:1F1
			REV:A

