

Section A-A

NOTE:

1.PLATING SPECIFICATION:

1-1.CONTACTS:

Ni 50u" MIN. UNDER PLATED OVER ALL.
 Au PLATED ON THE FUNCTIONAL AREA OF CONTACT.
 CONTACT FUNCTIONAL AREA PLATED : Au 3u"
 80u" MIN TIN PLATED ON SOLDER AREA.

1-2.FRONT SHELL:

Ni 50u" MIN. UNDER PLATED OVER ALL.

1-3.MID PLATE:

Ni 50u" MIN. UNDER PLATED OVER ALL.

1-4.EMI PLATE:

CLEAR ONLY

2.MECHANICAL PERFORMANCE,

2-1.INSERTION FORCE: 0.5~2.0kgf.
 2-2.REMOVAL FORCE: Initial 0.8~2.0kgf;After durability 0.6~2.0kgf.
 2-3.DURABILITY: 10000 CYCLES.

3.ELECTRICAL PERFORMANCE,

3-1. CURRENT RATING:1.25A for A4/A9/B4/B9 PIN,5.0A for Other PINS
 VOLTAGE RATING:5.0V

3-2. LLCR:

VBUS & GND PINS AND OTHER PINS: 40mA/PIN MAX.
 SHIELD: 50mA/MAX.
 LLCR MAX. CHANGE OF ALL PINS: 10mA.

3-3.INSULATION RESISTANCE: 100M Ω MIN

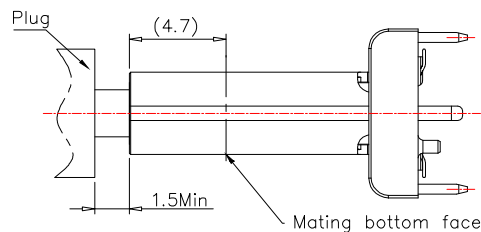
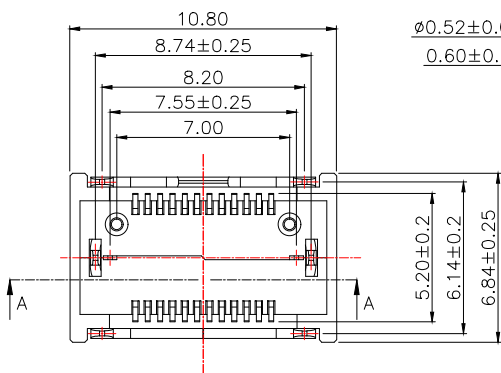
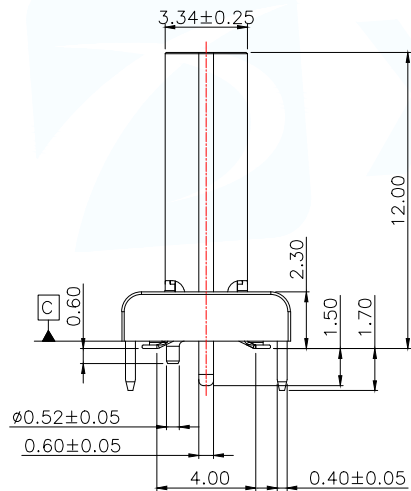
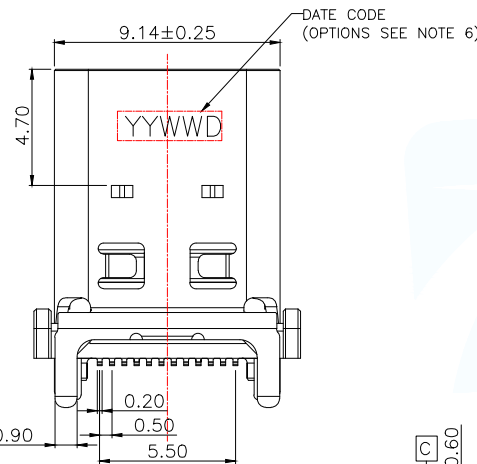
3-4.DIELECTRIC WITHSTAND VOLTAGE,AC 100VAC FOR 1 MINUTE.

4. ENVIRONMENTAL PERFORMANCE:

OPERATING TEMPERATURE: -55°C~+85°C.

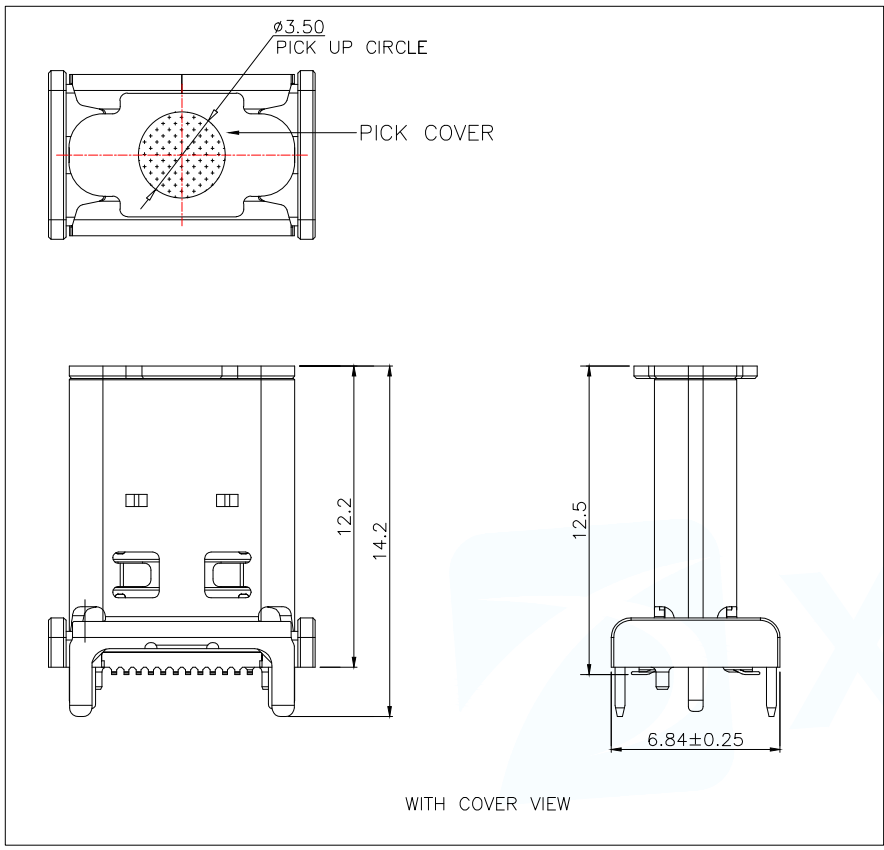
5. IR REFLOW:

THE PEAK TEMPERATURE ON THE BOARD SHALL
 BE MAINTAINED FOR 10 SECONDS AT 260°C.



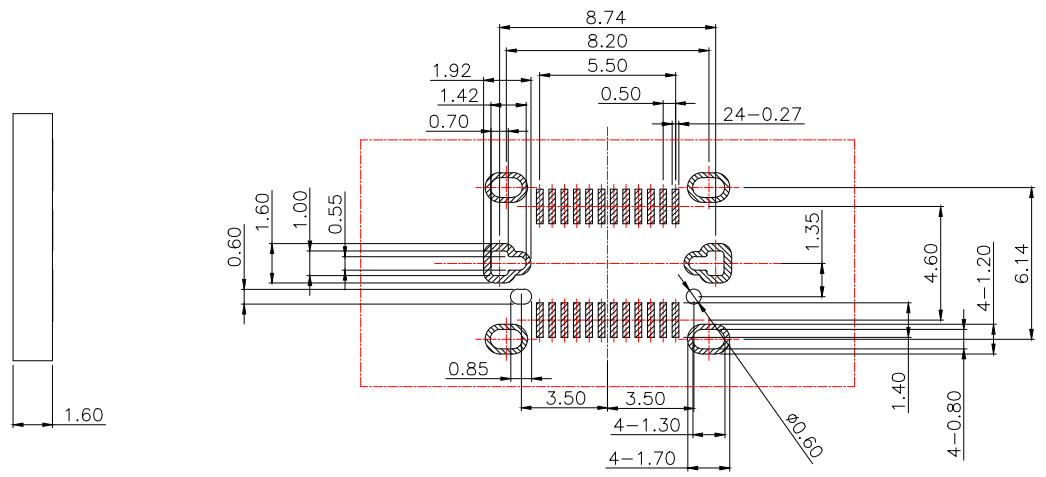
NO.	PART NAME	MATERIAL	FINISH	QTY
6	EMI-SHELL	STAINLESS STEEL	NO PLATING	1
5	MID-PLATE	STAINLESS STEEL	50u" Ni Min PLATING	1
4	SHELL	STAINLESS STEEL	50u" Ni Min PLATING	1
3	CONTACT	COPPER ALLOY	Au plating overall	24
2	1/Molding	THERMOPLASTIC PLASTIC	BLACK,UL 94V-0	2
1	3/Molding	THERMOPLASTIC PLASTIC	BLACK,UL 94V-0	1

MANUFACTURE DWG		东莞市讯普电子科技有限公司 DongGuan XunPu Electronics Co.,Ltd	
UNLESS OTHERWISE SPECIFIED TOLERANCES			TITLE:USB TYPE C 24PIN REC H=12.0mm Vertical TYPE
DECIMALS:	ANGLES:		PAR TYPEC-513L-ACP24
.X:±0.30	.X':±10'		DWN
.XX:±0.20	.X':±8'		CHKD
.XXX:±0.10	.XX':±5'	APVD	SCALE:1:1 UNIT:MM
CUSTOMER COPY		SIZE:A4	SHEET:1F1
			REV:A



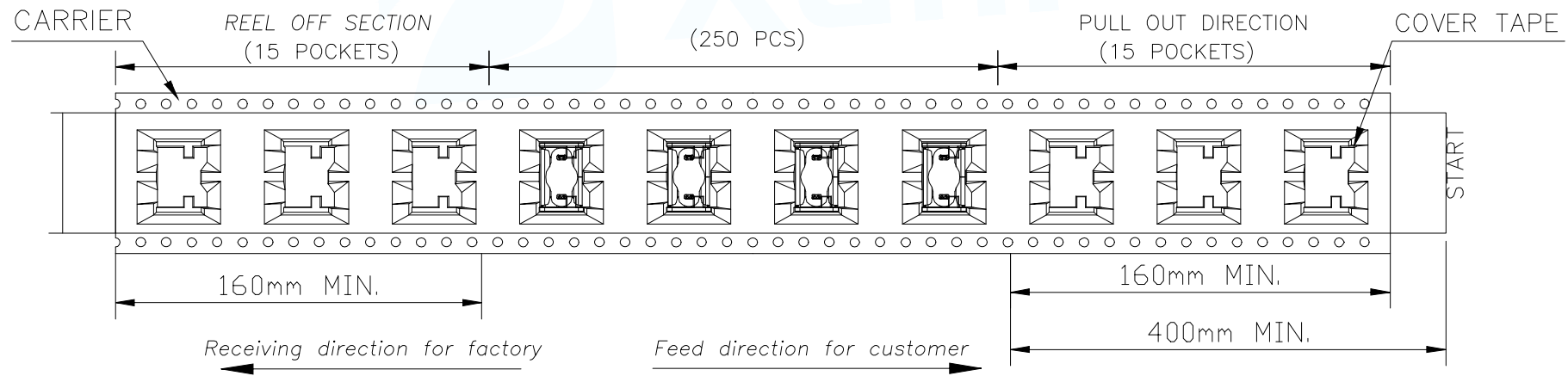
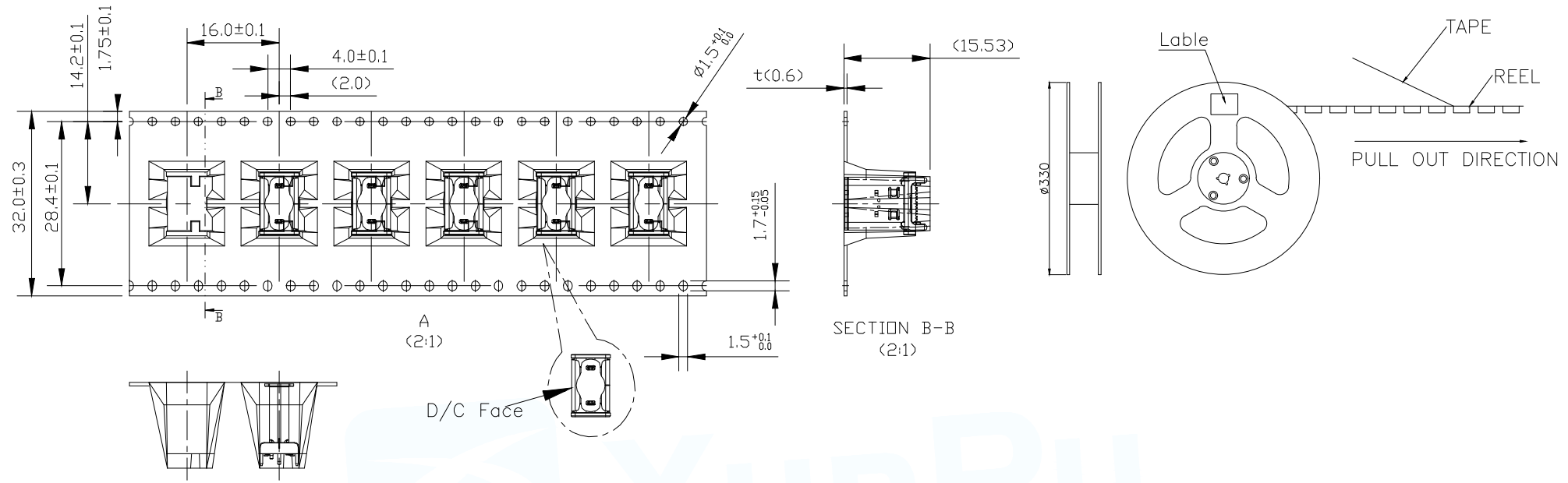
PIN DEFINE:

Pin	Signal Name	Description	Mating Sequence	Pin	Signal Name	Description	Mating Sequence
A1	GND	Ground return	First	B12	GND	Ground return	First
A2	SSTXp1	Positive half of first SuperSpeed TX differential pair	Second	B11	SSRXp1	Positive half of first SuperSpeed RX differential pair	Second
A3	SSTXn1	Negative half of first SuperSpeed TX differential pair	Second	B10	SSRXn1	Negative half of first SuperSpeed RX differential pair	Second
A4	Vbus	Bus Power	First	B9	Vbus	Bus Power	First
A5	CC1	Configuration Channel	Second	B8	SBU2	Sideband Use(SBU)	Second
A6	Dp1	Positive half of the USB 2.0 differential pair-Position 1	Second	B7	Dn2	Negative half of the USB 2.0 differential pair-Position 2	Second
A7	Dn1	Negative half of the USB 2.0 differential pair-Position 1	Second	B6	Dp2	Positive half of the USB 2.0 differential pair-Position 2	Second
A8	SBU1	Sideband Use(SBU)	Second	B5	CC2	Configuration Channel	Second
A9	Vbus	Bus Power	First	B4	Vbus	Bus Power	First
A10	SSRXn2	Negative half of second SuperSpeed RX differential pair	Second	B3	SSTXn2	Negative half of second SuperSpeed TX differential pair	Second
A11	SSRXp2	Positive half of second SuperSpeed RX differential pair	Second	B2	SSTXp2	Positive half of second SuperSpeed TX differential pair	Second
A12	GND	Ground return	First	B1	GND	Ground return	First

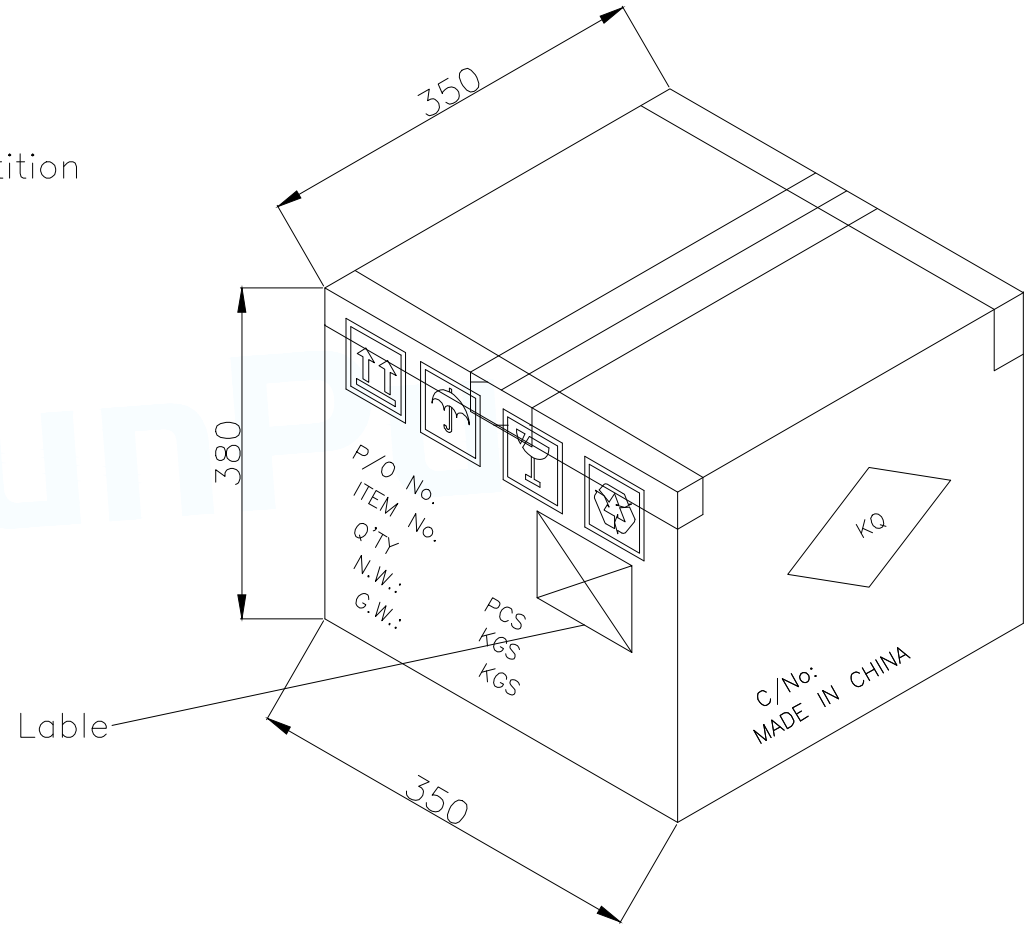
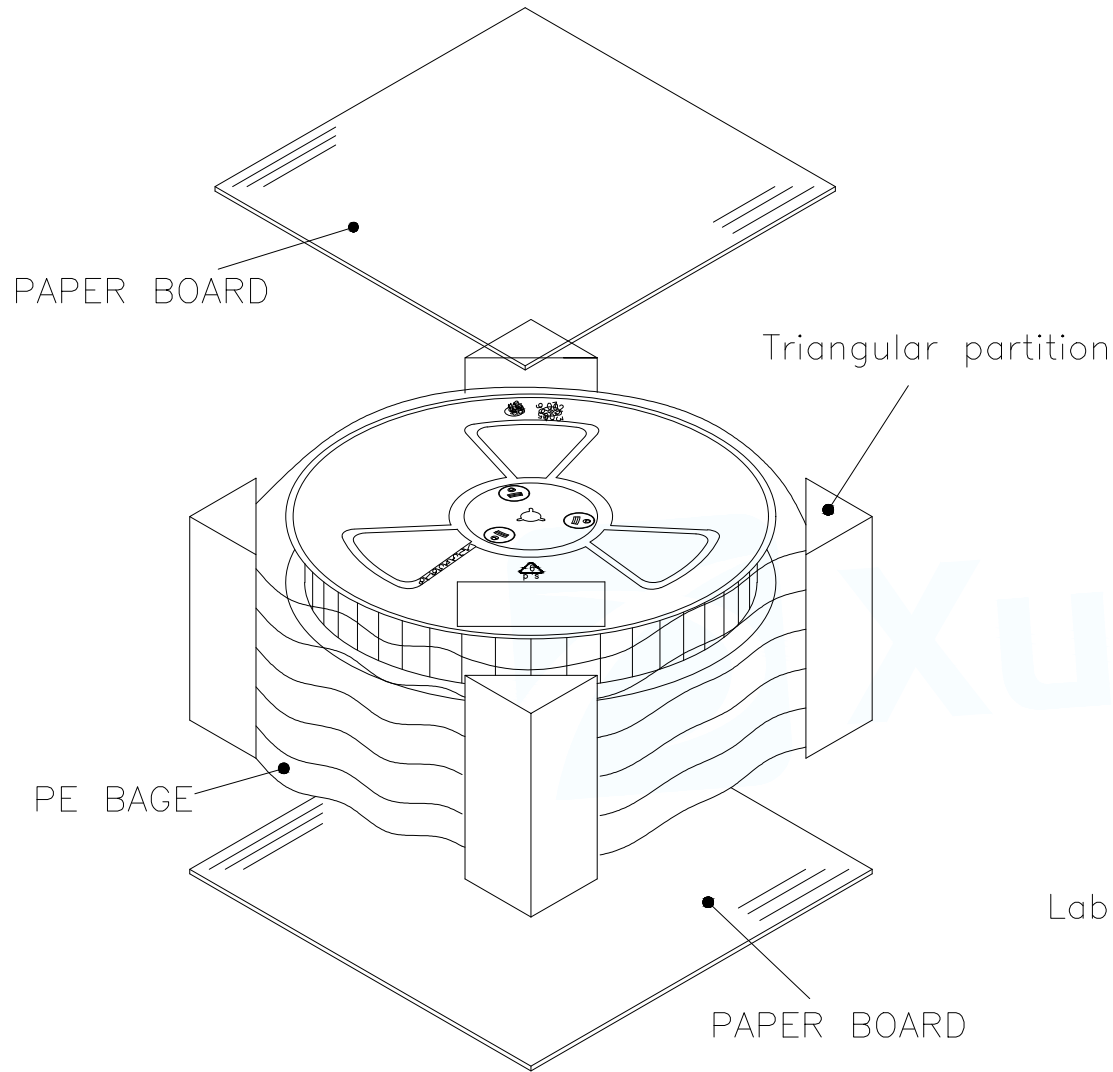


RECOMENDED PCB LAYOUT
TOL: ±0.05

MANUFACTURE DWG		 东莞市讯普电子科技有限公司 DongGuan XunPu Electronics Co.,Ltd	
UNLESS OTHERWISE SPECIFIED TOLERANCES			TITLE:USB TYPE C 24PIN REC H=12.0mm Vertical TYPE
			PAR TYPEC-513L-ACP24
DECIMALS:	ANGLES:	CUSTOMER COPY	DWN
.X:±0.30	.X':±10'		CHKD
.XX:±0.20	.X':±8'		APVD
.XXX:±0.10	.XX':±5'		SCALE1:1 UNIT:MM
		SIZE:A4	UNIT:MM
		SHEET:1F1	REV:A



MANUFACTURE DWG			 东莞市讯普电子科技有限公司 DongGuan XunPu Electronics Co.,Ltd	
UNLESS OTHERWISE SPECIFIED TOLERANCES			TITLE:USB TYPE C 24PIN REC H=12.0mm Vertical TYPE	
DECIMALS:	ANGLES:	PAR	TYPEC-513L-ACP24	
.X:±0.30	X':.±10'	DWN		
.XX:±0.20	.X':±8'	CHKD		
.XXX:±0.10	.XX':±5'	APVD		
CUSTOMER COPY		SCALE 1:1	UNIT:MM	
		SIZE:A4	SHEET:1F1	REV:A



PART NUMBER	PCS/REEL	REEL/BOX	PCS/BOX
TYPEC-513L-ACP24	250	10	2500

MANUFACTURE DWG		 东莞市讯普电子科技有限公司 DongGuan XunPu Electronics Co.,Ltd		
UNLESS OTHERWISE SPECIFIED TOLERANCES			TITLE:USB TYPE C 24PIN REC H=12.0mm Vertical TYPE	
DECIMALS:	ANGLES:		PAR TYPEC-513L-ACP24	
.X:±0.30	.X':±10'		DWN	
.XX:±0.20	.X':±8'		CHKD	
.XXX:±0.10	.XX':±5'	APVD		
CUSTOMER COPY		SCALE:1:1	UNIT:MM	
		SIZE:A4	SHEET:1F1	
			REV:A	