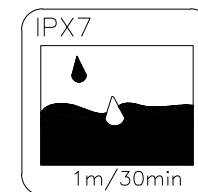


NOTES:

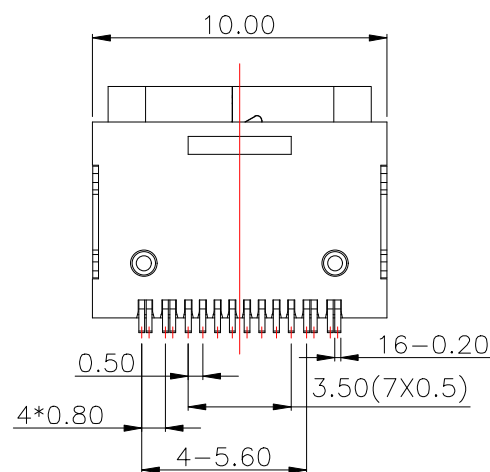
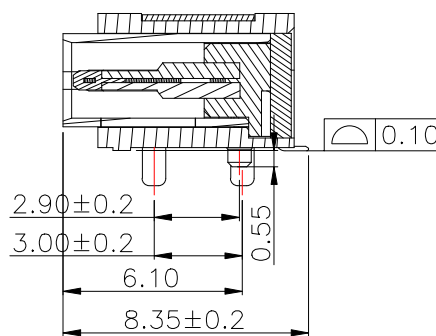
SPECIFICATION:

- CURRENT RATING: 3.0A MAX
- VOLTAGE: 30 VAC
- TEMPERATURE RANGE: -30 °C ~ 85 °C
- CONTACT RESISTANCE: 40 MILLIONHM MAX
- INSULATION RESISTANCE: 100 MEGOHMS MIN.
- INSERTION FORCE : 6N~20N
- UNMATING FORCE: 8N~20N
- DURABILITY: 10,000 CYCLES
- WATER PROOFNESS: THIS PRODUCT IS BASED ON IPX7(1.5M 30min).



(防水等级IPX7 1.5米深 30分钟)

Section A-A



6	Run-RING	1PCS	Silica gel	BLACK
5	SHELL	1PCS	STAINLESS STEEL	NI Plated: 40u"MIN
4	SHIELDING PLATE	1PCS	STAINLESS STEEL	NI Plated: 40u"MIN
3	CONTACT	1SET	Brass	Contact Plating: Au (1u"-3u") Soldering Plating: Au 1u"
2	SHELL HOUSING	1PCS	LCP	BLACK
1	HOUSING	1PCS	LCP	BLACK
NO	DESCRIPTION	QTY	MATERIAL	REMARKS

MANUFACTURE DWG



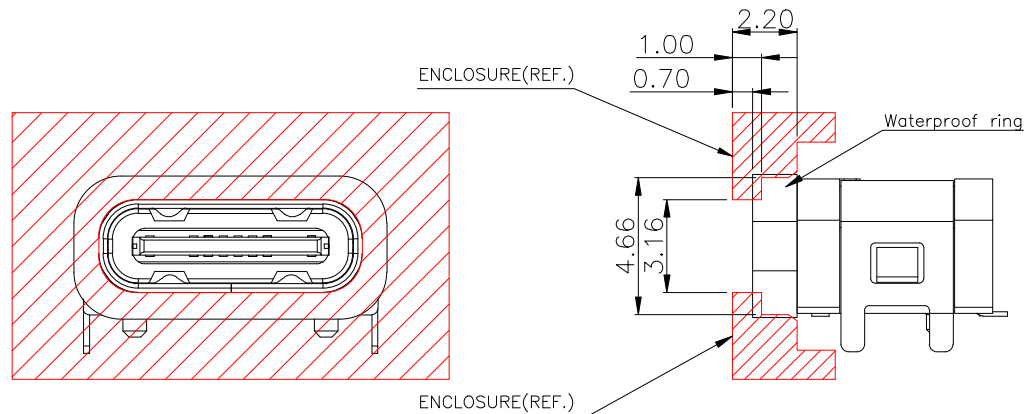
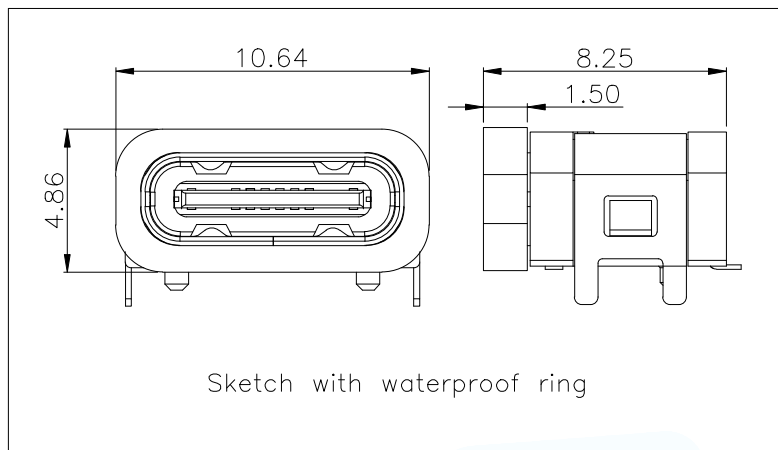
UNLESS OTHERWISE SPECIFIED TOLERANCES

DECIMALS:	ANGLES:
.X:±0.25	X':±2°
.XX:±0.15	.X":±0.5°
.XXX:±0.10	

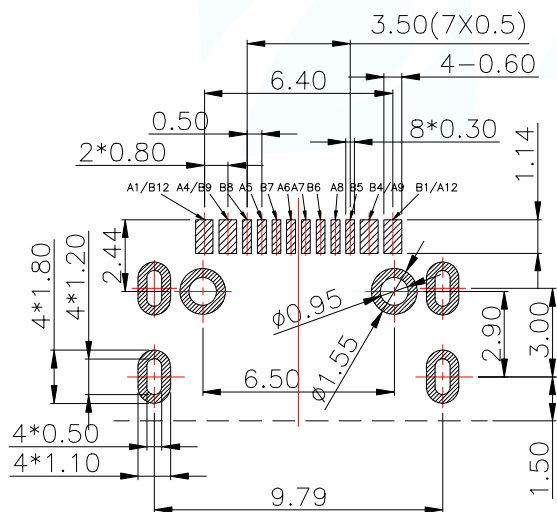


CUSTOMER COPY

TITLE:	
CF母头单排16PIN 防水板上型	
PAR	TYPEC-301-ACP16X7
DWN	
CHKD	
APVD	
SCALE1:1	UNIT:MM
SIZE:A4	SHEET:1F1
	REV:A



RECOMMENDED SCHEMATIC DRAWING OF CONNECTOR MATCH CHASSIS



RECOMMENDED P.C.B. LAYOUT  
TOLERANCE UNSPECIFIED  $\pm 0.05\text{mm}$

USB TYPE-C PIN ASSIGNMENTS

PIN NUMBER	SIGNAL NAME	PIN NUMBER	SIGNAL NAME
A1	GND	B12	GND
A4	VBUS	B9	VBUS
A5	CC1	B8	SBU2
A6	Dp1	B7	Dn2
A7	Dn1	B6	Dp2
A8	SBU1	B5	CC2
A9	VBUS	B4	VBUS
A12	GND	B1	GND

MANUFACTURE DWG		<p>东莞市讯普电子科技有限公司 DongGuan XunPu Electronics Co.,Ltd</p>	TITLE: CF母头单排16PIN 防水板上型	
UNLESS OTHERWISE SPECIFIED TOLERANCES			PAR	TYPEC-301-ACP16X7
DECIMALS:	ANGLES:	DWN		
.X: $\pm 0.25$	X': $\pm 2^\circ$	CHKD		
.XX: $\pm 0.15$	.X': $\pm 0.5^\circ$	APVD		
.XXX: $\pm 0.10$		SCALE 1:1	UNIT: MM	
		CUSTOMER COPY	SIZE: A4	
			SHEET: 1F1	
			REV: A	