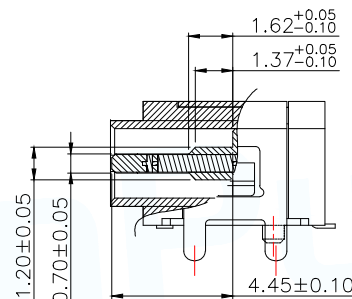
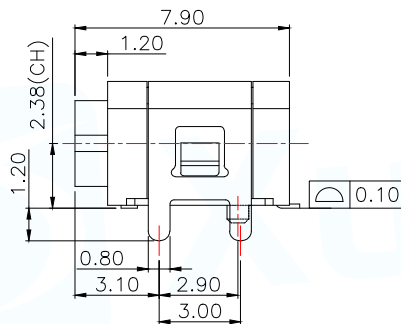
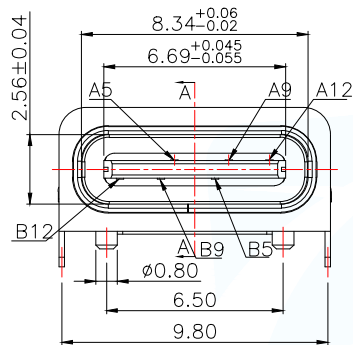
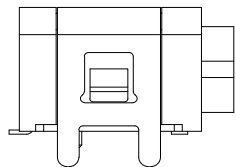
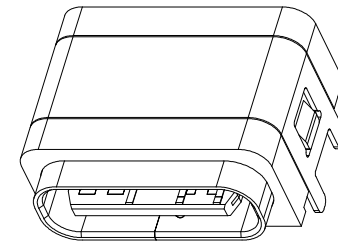
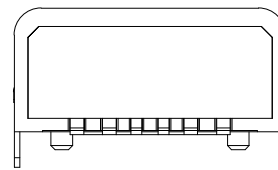


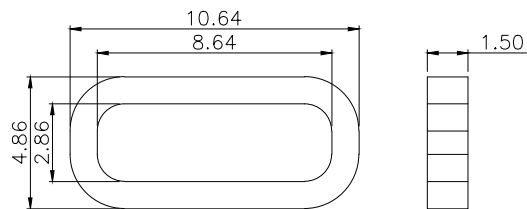
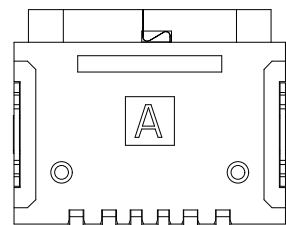
A5	CC1	B5	CC2
A9	VBUS	B9	VBUS
A12	GND	B12	GND
PIN	SIGNAL	PIN	SIGNAL



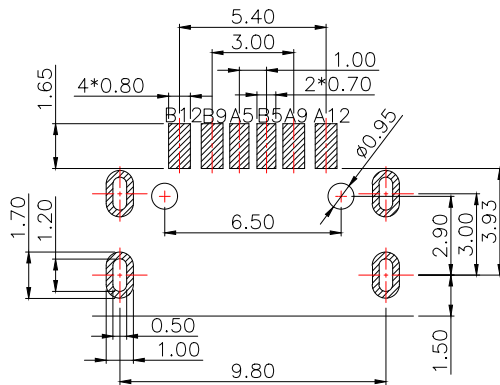
SECTION A-A

SPECIFICATION:

- Material:
 - HOUSING&MOLDING: HIGH TEMPERATURE RESISTANT PLASTIC, UL94 V-0
 - CONTACTS: COPPER ALLOY T=0.15mm
 - IDDL CLIP: SUS301-1/2H, T=0.15mm
 - SHELL-1: SUS304, T=0.30mm
 - SHELL-2: SUS304, T=0.20mm
- Mechanical:
 - 2.1. Mating force: 0.5~2.0kgf.
 - 2.2. UNMATING FORCE: 0.8~2.0kgf. 0.6~2.0kgf AFTER DURABILITY TEST;
 - 2.3. Durability: 10000 Cycles;
- Electrical:
 - 3.1. Current Rating: 3A Max.;
 - 3.2. Voltage Rating: 20V Max.;
 - 3.3. Dielectric Withstanding voltage: 100VAC;
 - 3.4. Contact resistance: 40m Ohms Max.;
 - 3.5. Insulation Resistance: 100M Ohms Min.;
- Environmental:
 - 4.1. Operating temperature: -40°C~+85°C;
 - 4.2. Wetting Temperature: 265±5°C, 5±0.5s

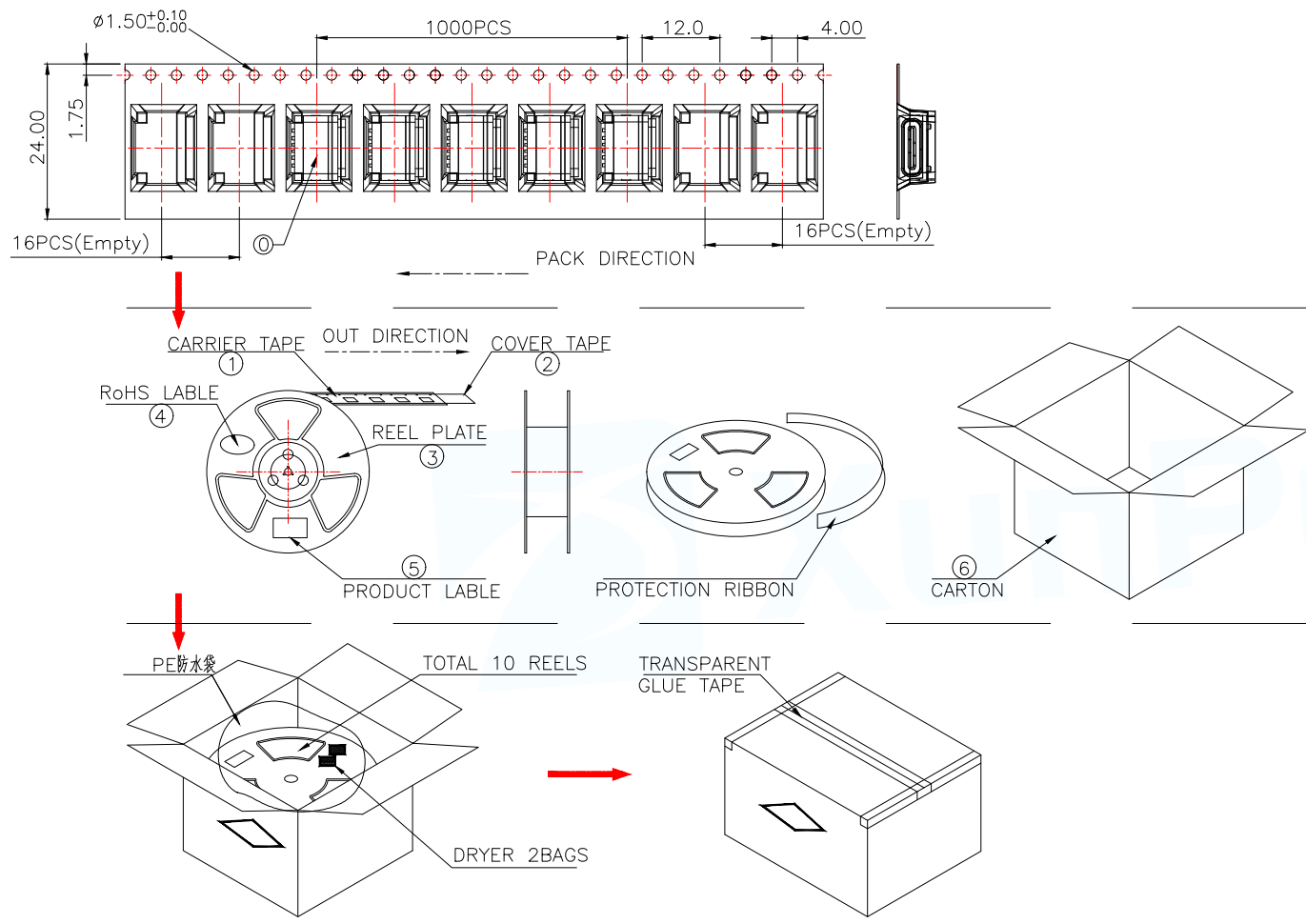


建议胶圈尺寸



(TOP VIEW)
RECOMMENDED P.C.B. LAYOUT (T: 1.0~1.2mm)
TOLERANCE UNSPECIFIED ±0.05mm

MANUFACTURE DWG		东莞市讯普电子科技有限公司 DongGuan XunPu Electronics Co., Ltd	
UNLESS OTHERWISE SPECIFIED TOLERANCES			TITLE: TYPE-C 6pin母座板上型带塑胶柱
DECIMALS: .X: ±0.35 .XX: ±0.25 .XXX: ±0.15			PAR TYPEC-242Y-ACP6X7
ANGLES: .X': ±3.0° .XX': ±2.5° .XXX': ±2.0°			DWN
CUSTOMER COPY			CHKD
			APVD
			SCALE 1:1 UNIT: MM
			SIZE: A4 SHEET: 1F1
			REV: A



说明:

1. 每卷前后各空16PCS,尾部用美纹胶纸封住;
2. 将产品放满盘后,再卷一圈保护带,用美纹胶纸将其封住,并贴上1Pcs物料标签;
3. 每10卷盘一叠共10000Pcs并装入1个外箱内;
4. 在搬运过程中要轻拿轻放;
5. 在运输中不可堆放过多(1.8M最高),不可重压;
6. 跌落测试条件:
成品箱从1.2米高度自由落体(一角三棱六面):
a. 产品不可跑出下带凹槽;
b. 产品不可有摔伤,变形;
c. 内包装材料不可严重破损.

NO.	NAME	SPEC	Q'TY
①	TYPE C RECEPTACLE		10000PCS/CARTON
①	CARRIER TAPE	W=24mm,T=0.35mm	1000PCS/PLATE
②	COVER TAPE	W=21.5mm	10PLATES/CARTON
③	REEL PLATE	φ330*100*24.4mm	10PCS/CARTON
④	RoHS LABEL		10PCS/CARTON
⑤	PRODUCT LABER		10PCS/CARTON
⑥	CARTON	350*340*310mm	1PCS/PACKAGE

MANUFACTURE DWG			东莞市讯普电子科技有限公司 DongGuan XunPu Electronics Co.,Ltd	
UNLESS OTHERWISE SPECIFIED TOLERANCES			TITLE: TYPE-C 6pin母座板上型带塑胶柱	
			PAR	TYPEC-242Y-ACP6X7
DECIMALS:	ANGLES:		DWN	
.X:±0.50	.X':±3.5°	CHKD		
.XX:±0.30	.XX':±2.5°	APVD		
.XXX:±0.15	.XXX':±1.5°	SCALE 1:1	UNIT:MM	
		CUSTOMER COPY	SIZE:A4	
			SHEET:1F1	
			REV:A	