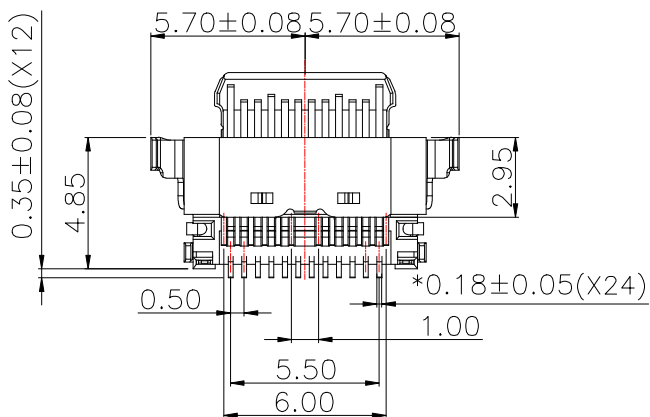
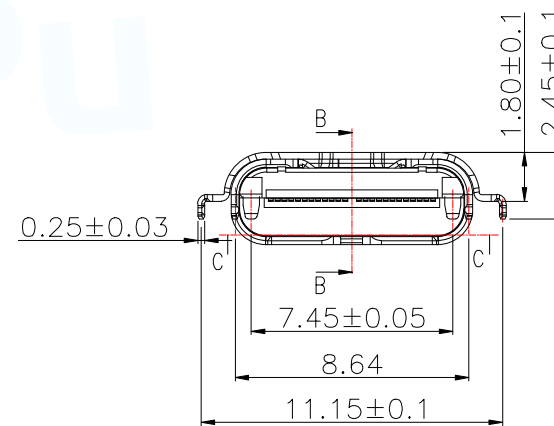
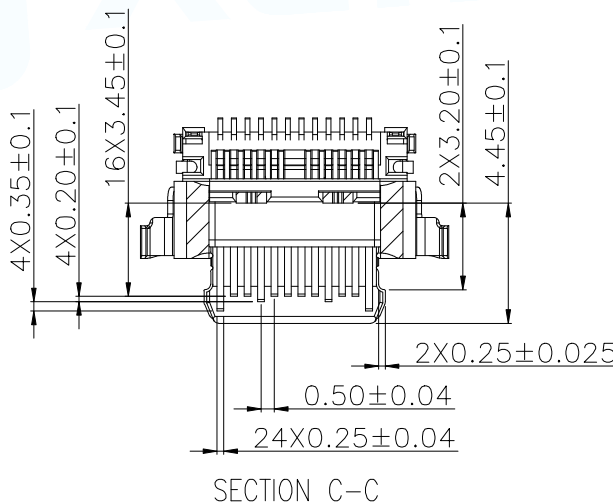
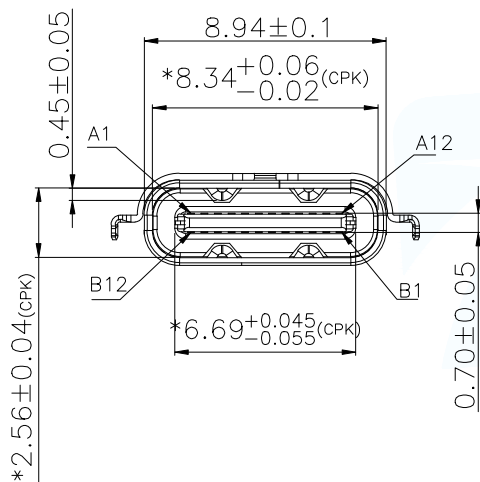
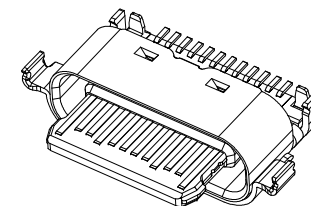
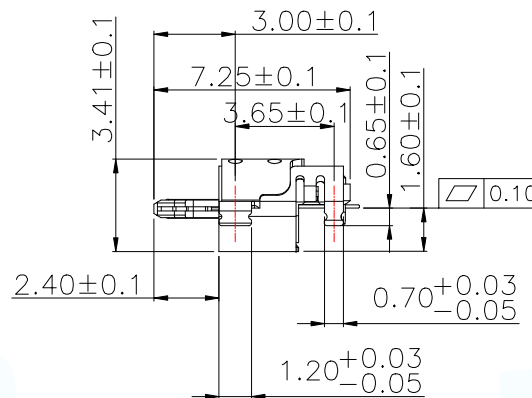
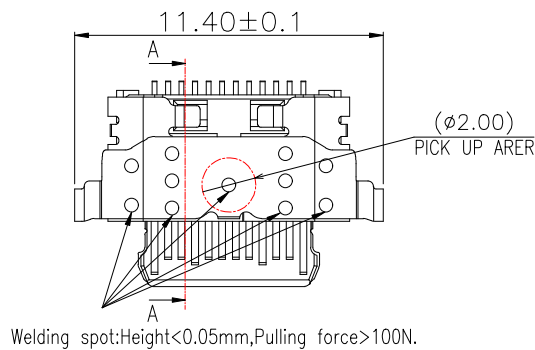
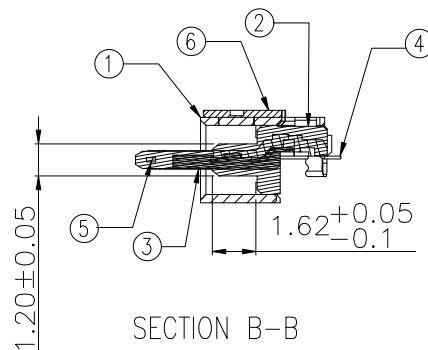
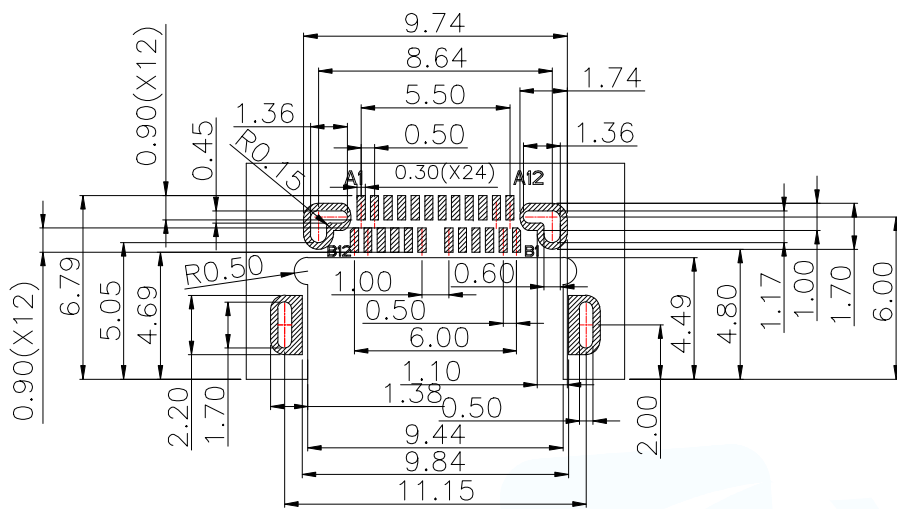


12	13	14	15
MAPX	MODIFICATION	DATE	DRAW



MANUFACTURE DWG		东莞市讯普电子科技有限公司 DongGuan XunPu Electronics Co.,Ltd	TITLE:CF 24PIN 平口沉板1.60舌片外露2.40mm CONN.	
UNLESS OTHERWISE SPECIFIED TOLERANCES			PAR	TYPEC-511-ARP24SC16
DECIMALS:	ANGLES:	DWN		
.X:±0.30	.X':±10°	CHKD		
.XX:±0.20	.X'':±8°	APVD		
.XXX:±0.10	.XX':±5°	SCALE:1:1	UNIT:MM	
		SIZE:A4	SHEET:1F1	
		CUSTOMER COPY	REV:A	



NOTES:

1.PRODUCT SPECIFICATIONS:

- 1.1. CURRENT RATING: 1.5A/PIN MAX(A4,A9,B4,B9)
1.25A/PIN MAX(A1,A12,B1,B12),0.25A(OHER PIN)
- 1.2. TEMPERATURE RANGE: -40 °C ~ 85 °C
- 1.3. CONTACT RESISTANCE: 30 MILLIONHM MAX
- 1.4. INSULATION RESISTANCE: 100 MEGOHMS MIN.
- 1.5. DIELECTRIC WITHSTANDING VOLTAGE:100 VAC
- 1.6. PULG INSERTION DIRECTION WITHSTANDS
INSERTION FORCE >13.6Kg
- 1.7. INSERTION FORCE : 6N~20N
- 1.8. UNMATING FORCE:INITIAL:8N~20N;DURABILITY:6N~20N
- 1.9. DURABILITY: 10,000 CYCLES
(1.6/1.7/1.8/1.9 Need to cooperate with the whole machine test)
- 1.10. NaCl SOLUTION OF 5% SALT CONCENTRATION WAS SPRAYED
CONTINUOUSLY FOR 48 HOURS AT 35°C.
- 1.11. SWEAL IS ALKALINE, AND PLACED AT 55°C , RH95%
TEMPERATURE
AND HUMIDITY FOR 48H.

RECOMMENDED P.C.B. LAYOUT (THICKNESS:0.80MM)

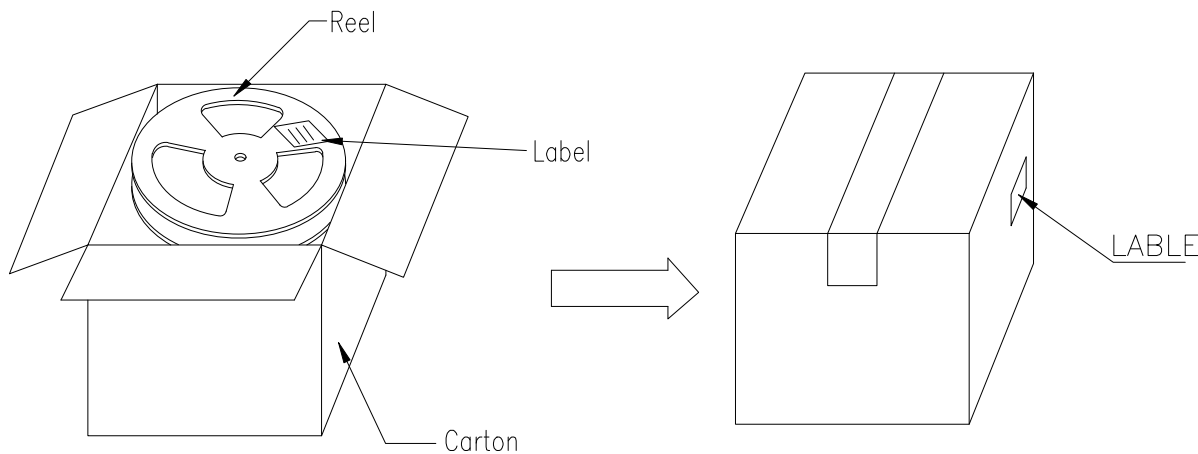
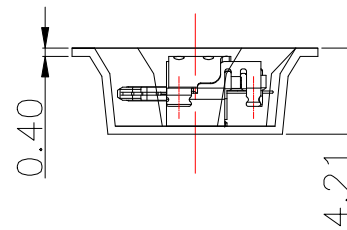
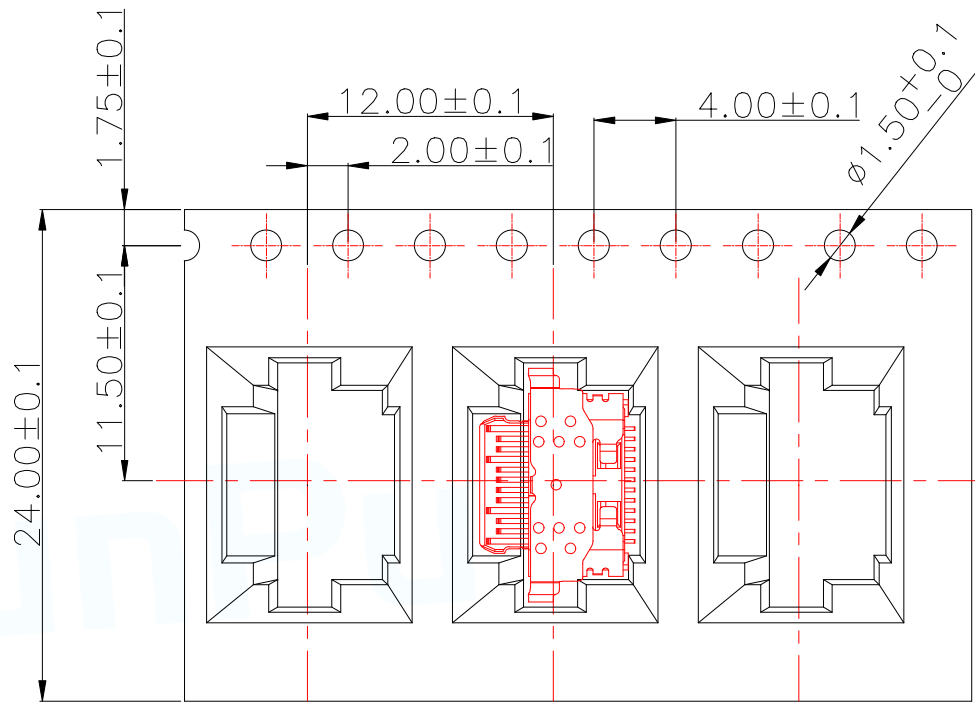
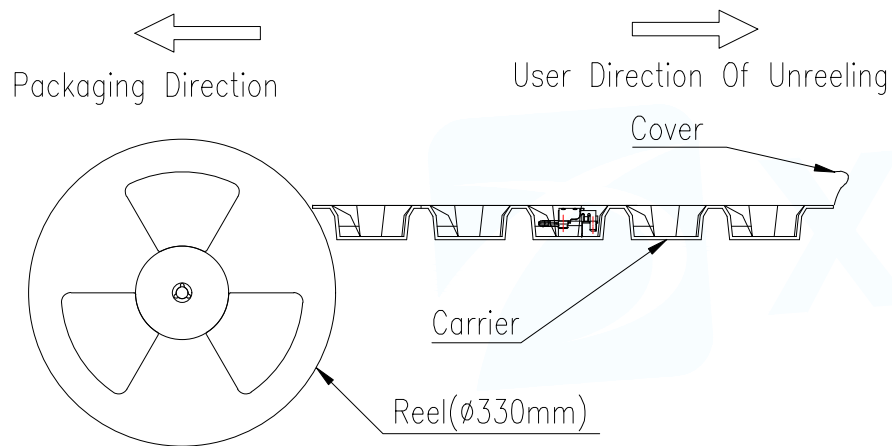
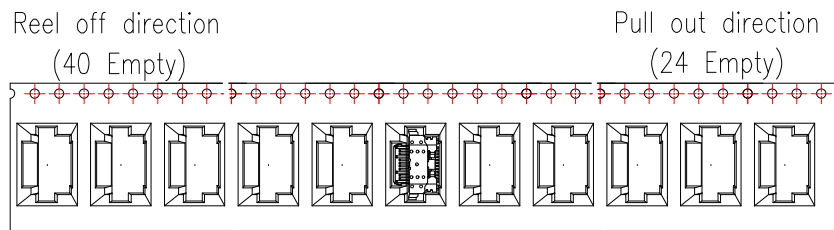
TOLERANCE UNSPECIFIED ±0.05mm

PIN ASSIGNMENT

pin	Signal name	pin	Signal name	pin	Signal name	pin	Signal name
A1	GND	B12	GND	A7	Dn1	B6	Dp2
A2	SSTXp1	B11	SSRXp1	A8	SBU1	B5	CC2
A3	SSTXn1	B10	SSRXn1	A9	VBUS	B4	VBUS
A4	VBUS	B9	VBUS	A10	SSRXn2	B3	SSTXn2
A5	CC1	B8	SBU2	A11	SSRXp2	B2	SSTXP2
A6	Dp1	B7	Dn2	A12	GND	B1	GND

NO.	DESCRIPTION	QTY.	MATERIAL	FINISH
6	COVER	1PCS	STAINLESS STEEL	50u" MIN. Ni UNDERPLATING OVERALL
5	MID PLATE	1PCS	SUS301-EH	50u" MIN. Ni UNDERPLATING OVERALL
4	CONTACT B	1SET	COPPER ALLOY	Au 15u" PLATING ON CONTACT AREA Au 1~3u" PLATING ON SOLDER AREA
3	CONTACT A	1SET	COPPER ALLOY	50u" MIN. NICKEL UNDER PLATING ALL OVER
2	HOUSING	1PCS	NYLON	COLOR:BLACK
1	SHELL-1	1PCS	STAINLESS STEEL	50u" MIN. Ni UNDERPLATING OVERALL

MANUFACTURE DWG			 东莞市讯普电子科技有限公司 DongGuan XunPu Electronics Co.,Ltd	
UNLESS OTHERWISE SPECIFIED TOLERANCES			TITLE:CF 24PIN 平口沉板1.60厚 片外露2.40mm CONN.	
DECIMALS:	ANGLES:	PAR	TYPEC-511-ARP24SC16	
.X:±0.30	X':±10°	DWN		
.XX:±0.20	.X':±8°	CHKD		
.XXX:±0.10	.XX':±5°	APVD		
CUSTOMER COPY		SCALE1:1	UNIT:MM	
		SIZE:A4	SHEET:1F1	REV:A



MANUFACTURE DWG		 东莞市讯普电子科技有限公司 DongGuan XunPu Electronics Co.,Ltd	TITLE:CF 24PIN 平口沉板1.60舌片外露2.40mm CONN.	
UNLESS OTHERWISE SPECIFIED TOLERANCES			PAR	TYPEC-511-ARP24SC16
DECIMALS:	ANGLES:	DWN		
.X:±0.30	X°:±10°	CHKD		
.XX:±0.20	.X°:±8°	APVD		
.XXX:±0.10	.XX°:±5°	SCALE1:1	UNIT:MM	⊕
		SIZE:A4	SHEET:1F1	REV:A

