

- NOTES:
- 1.MATERIAL:
MOLDING: LCP UL94 V-0
CONTACT: COPPER ALLOY.
GOLD PLATED Min ON CONTACT AREA, 100u"
Min TIN (LEAD FREE) ON SOLDER AREA,
SHELL: SUS304-H,T=0.30±0.03mm
50u" NICKEL PLATING OVER ALL.
 - 2.MECHANICAL:
INSERTION: 5~20N.
EXTRACTION: 8~20N AFTER TEST.
DURABILITY: 10000 CYCLES
 - 3.ELECTRICAL:
CURRENT: 3A FOR VBUS;
1.25A FOR GND PIN.
0.25A FOR OTHER.
VOLTAGE: 20 V MAX
WITHSTANDING VOLTAGE: 100V AC R.M.S.
CONTACT RESISTANCE: 40mΩ MAX.
INSULATION RESISTANCE: 100MΩ MIN.
 - 4.ENVIRONMENTAL
TEMPERATURE RANGE -25°C ~ +85°C

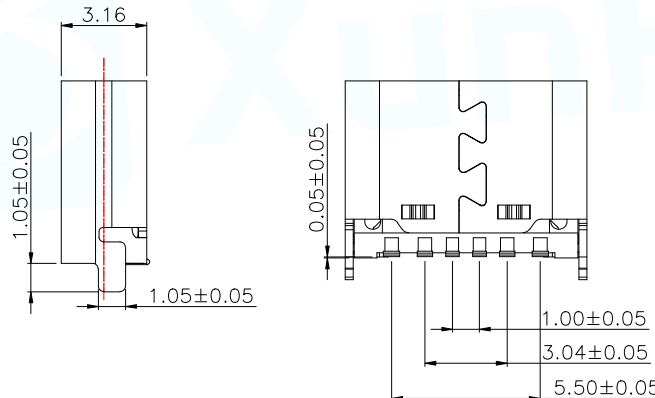
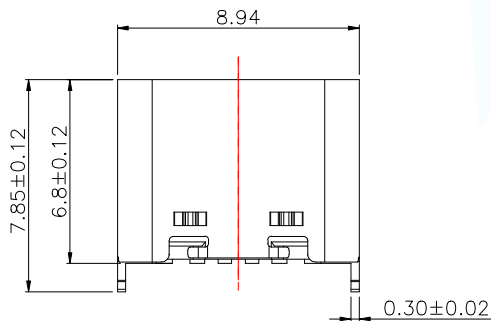
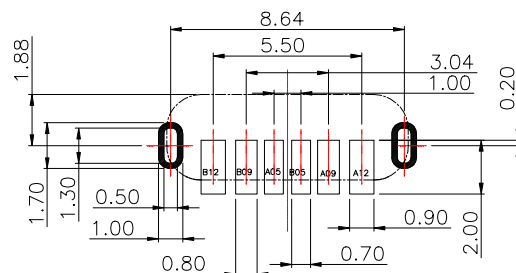
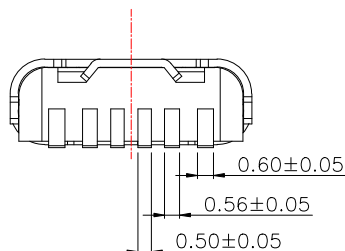


TABLE :

| 料号 | DIM L | DIM M |
|---------------------|-------|-------|
| TYPEC-251LS-ARP6L65 | 6.50 | 1.05 |
| TYPEC-251LS-ARP6L68 | 6.80 | 1.05 |

| | | | |
|-----|-------------|-----|-------------|
| A5 | CC1 | B12 | GND |
| A9 | VBUS | B9 | VBUS |
| A12 | GND | B5 | CC2 |
| PIN | SIGNAL NAME | PIN | SIGNAL NAME |



RECOMMENDED P.C.B. LAYOUT
TOLERANCE UNSPECIFIED ±0.05mm

| | | | | |
|-----|-------------|--------------------------|--|------|
| 4 | SHELL | STAINLESS STEEL SUS201 | NI/SN Plated | 1PCS |
| 3 | MID PLATE | STAINLESS STEEL SUS304 | --- | 1PCS |
| 2 | CONTACT | COPPER ALLOY C2680 EH | C2680 EH(SEE TABLE)/ N150U / SN 80U Plated | 1SET |
| 1 | HOUSING | HIGH TEMPERATURE PLASTIC | BLACK | 1PCS |
| NO. | DESCRIPTION | MATERIAL | REMARKS | QTY |

MANUFACTURE DWG

 东莞市讯普电子科技有限公司
DongGuan XunPu Electronics Co.,Ltd

UNLESS OTHERWISE SPECIFIED TOLERANCES



TITLE:
TYPE C母座6P直立式 SMT 带勾

DECIMALS: ANGLES:

.X:±0.30 .X':±3°

.XX:±0.20 .XX':±2°

.XXX:±0.10

PAR TYPEC-251LS-ARP6LXX

DWN

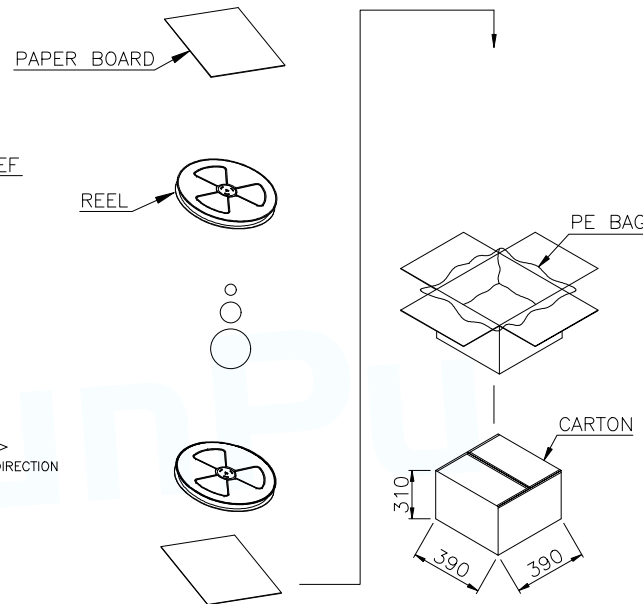
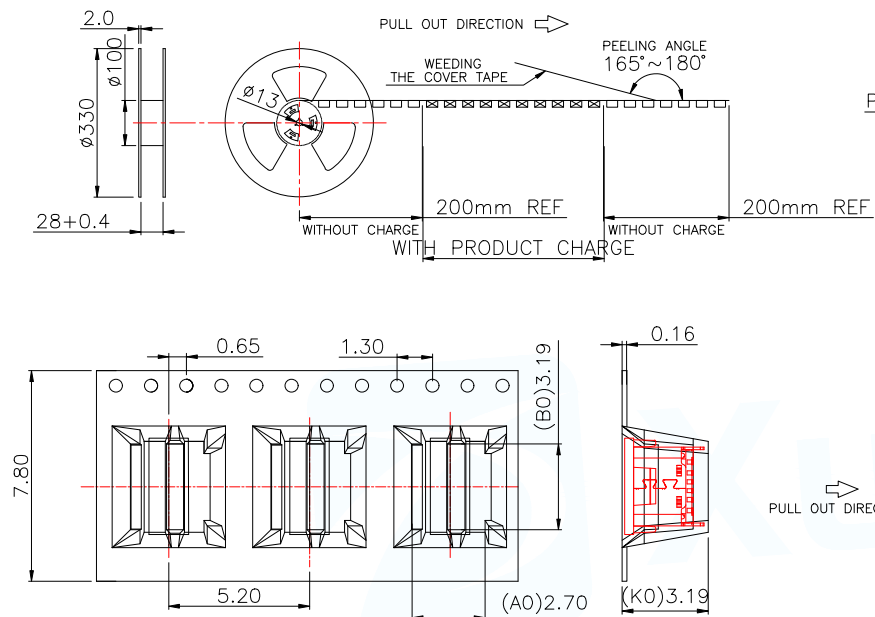
CHKD

APVD

SCALE1:1 UNIT:MM

SIZE:A4 SHEET:1F1 REV:A

CUSTOMER COPY



NOTE:
1. QUANTITY: 600 PCS/REEL, 6000PCS/CARTON.

注意:

1. 材料:
纸箱: 纤维板, 瓦楞, 双层壁.
胶带: 聚苯乙烯, 耐热温度: 120℃, 白.
卷筒: 聚苯乙烯, 耐热温度: 70℃, 蓝色.
包装: 聚乙烯, 耐热温度: 100℃.
2. 剥离强度: 0.1~1.3 N(10~130克)
3. 脱皮速度: 300mm /min.
4. 每个袋子都应包括干燥剂*1.
5. 外箱上贴号物料标签及RHOS标签
6. 同一产品只能装同一纸箱, 不允其它产品;
7. 包装后, 产品朝合面朝外, 柱子朝内;

| | | |
|-------|-----|----------|
| 600 | 10 | 6000 PCS |
| PCS/卷 | 卷/箱 | 箱 |

| | | | | |
|---------------------------------------|----------|---|---|---|
| MANUFACTURE DWG | |  | 东莞市讯普电子科技有限公司 DongGuan XunPu Electronics Co.,Ltd | |
| UNLESS OTHERWISE SPECIFIED TOLERANCES | | | TITLE: TYPE C母座6P直立式 SMT 带勾 | |
| DECIMALS: | ANGLES: | PAR | TYPEC-251LS-ARP6LXX | |
| .X:±0.30 | .X':±3° | DWN | | |
| .XX:±0.20 | .XX':±2° | CHKD | | |
| .XXX:±0.10 | | APVD | | |
| CUSTOMER COPY | | SCALE 1:1 | UNIT:MM |  |
| | | SIZE:A4 | SHEET:1F1 | REV:A |