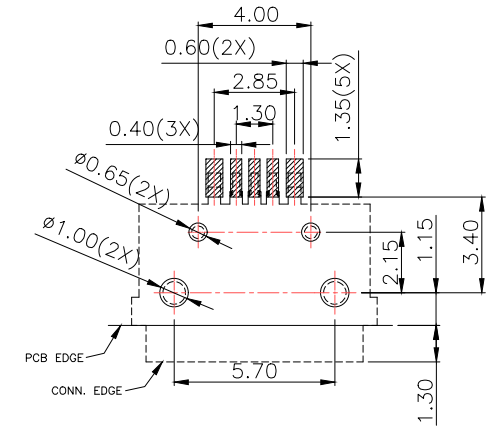
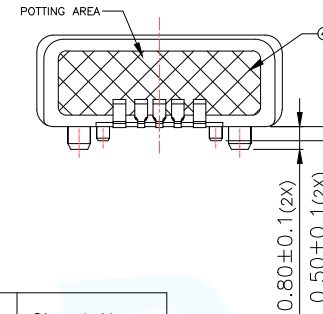
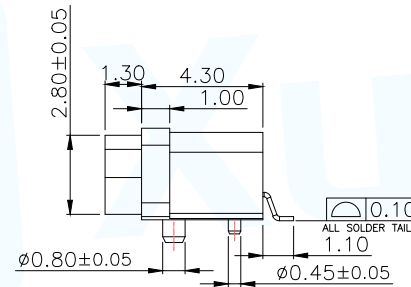
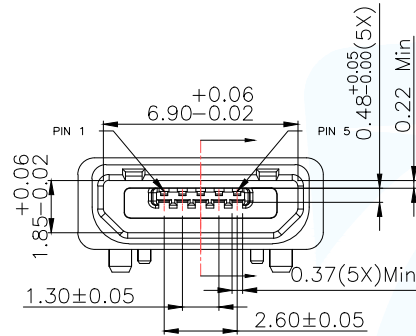


注意事项:母座外壳套上硅胶套以后,硅胶套的直径由自然状态的Ø0.70挤压到Ø0.30-0.40mm时;密封效果最佳;



RECOMMENDED PCB LAYOUT
TOP VIEW (ToI:±0.05)

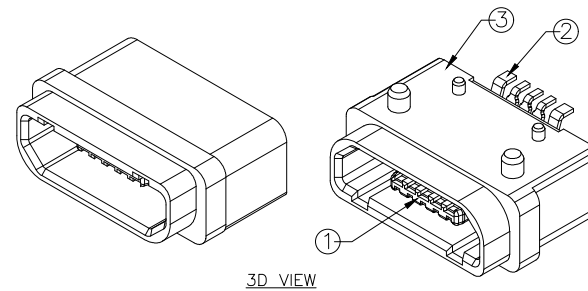
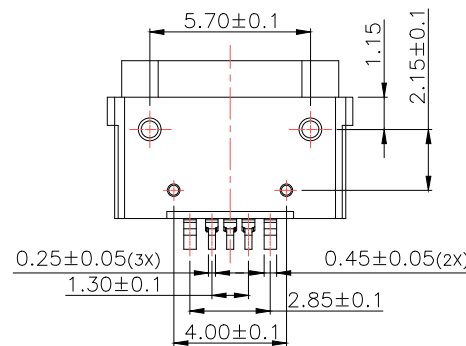


Pin Number	Signal Name
1	VBUS
2	D-
3	D+
4	ID
5	GND

NOTES:

- CONTACT CURRENT RATING:1.0A(SIGNAL PIN2,3,4);2.0A(POWER PIN1,5).
- CONTACT RESISTANCE:30mΩ MAX.;
- INSULATION RESISTANCE:100MΩ MIN.;
- DIELECTRIC WITHSTANDING:100V AC MIN.;
- DURABILITY:5,000CYCLES MIN.;
- WATER PROOFNESS:THIS PRODUCT IS BASED ON IPX6;
- CONNECTOR MATING FORCES:25N (2.55Kgf)MAX.;
- CONNECTOR UNMATING FORCES:2~25N (0.20~2.55Kgf);

ITEM	PART NAME	Q'TY	MATERIAL	DESCRIPTION
01	HOUSING	1 PCS	HIGH TEMPERATURE PLASTIC	BLACK COLOR, UL94V-0;
02	CONTACT A	1 PCS	COPPY ALLOY	Ni:40~160u"±Au;CONTACT AREA:3u",SOLDER:1u",OTHER AREA:G/F
03	PLASTIC SHELL	1 PCS	HIGH TEMPERATURE PLASTIC	BLACK COLOR, UL94V-0;
04	GLUE	1 PCS	EPOXY RESIN	BLACK COLOR,



3D VIEW

MANUFACTURE DWG		东莞市讯普电子科技有限公司 DongGuan XunPu Electronics Co.,Ltd	
UNLESS OTHERWISE SPECIFIED TOLERANCES			TITLE:MICRO USB 2.0 B WATERPROOF TYPE
DECIMALS:	ANGLES:		PAR MU-0110-ARW
X.:±0.30	±3'		DWN KING 2020.04.20
X.X:±0.2			CHKD APVD
X.XX:±0.15		CUSTOMER COPY	SCALE:1:1 UNIT:MM
			SIZE:A4 SHEET:1F1 REV:A