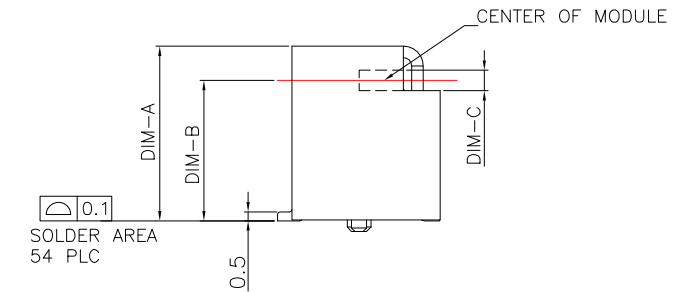


LTEM NO	DIM-A	DIM-B	DIM-C
PCIE-52P40H	4.0mm	2.05mm	1.12mm
PCIE-52P52H	5.2mm	3.25mm	1.12mm
PCIE-52P56H	5.6mm	3.65mm	1.12mm
PCIE-52P70H	7.0mm	5.05mm	1.12mm
PCIE-52P80H	8.0mm	6.05mm	1.16mm
PCIE-52P90H	9.0mm	7.05mm	1.16mm
PCIE-52P99H	9.9mm	7.95mm	1.16mm



NOTES:

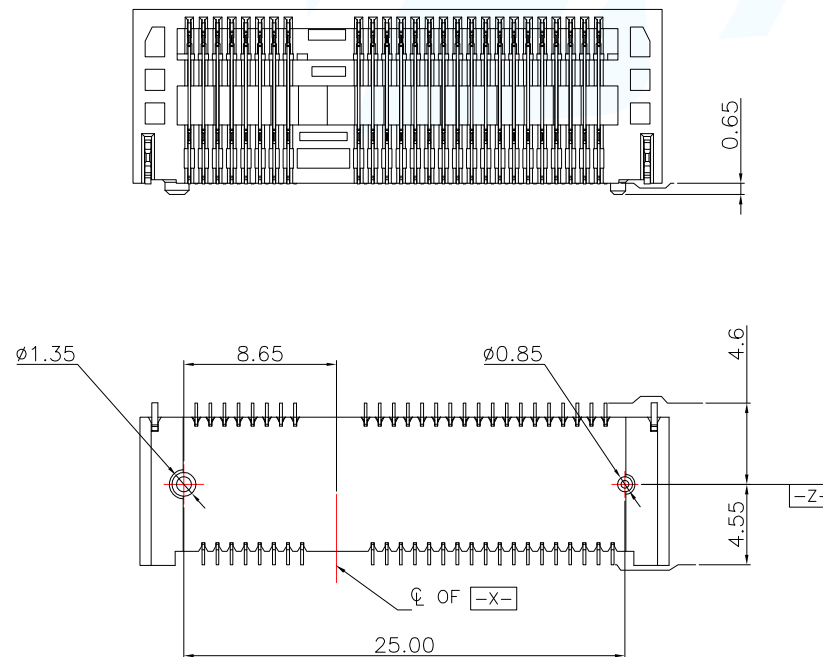
- MATERIAL:
HOUSING: THERMOPLASTIC, HIGH TEMP, UL94V-0, BLACK COLOR,
CONTACTS: COPPER ALLOY.
PEGS: COPPER ALLOY.
- FINISH:
CONTACTS: SELECTED GOLD PLATING ON THE CONTACT AREA,
1u" MIN. GOLD PLATING ON THE SOLDER TAILS,
50 u" MIN. NICKEL UNDERPLATING OVER ALL.
PEGS: 120u" MIN. MATTE-TIN OVER 50u" MIN. NICKEL.
- DATE CODE.

YYWWDD

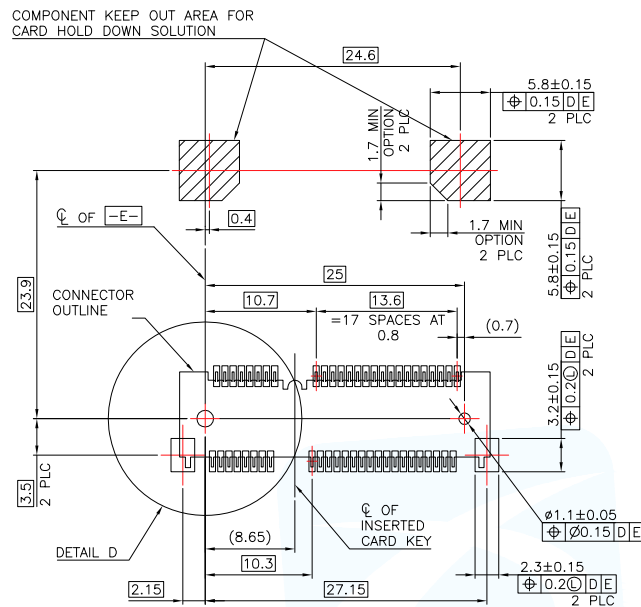
YY: YEAR (19: 2019)

WW: WEEK (25: THE 25TH WEEK)

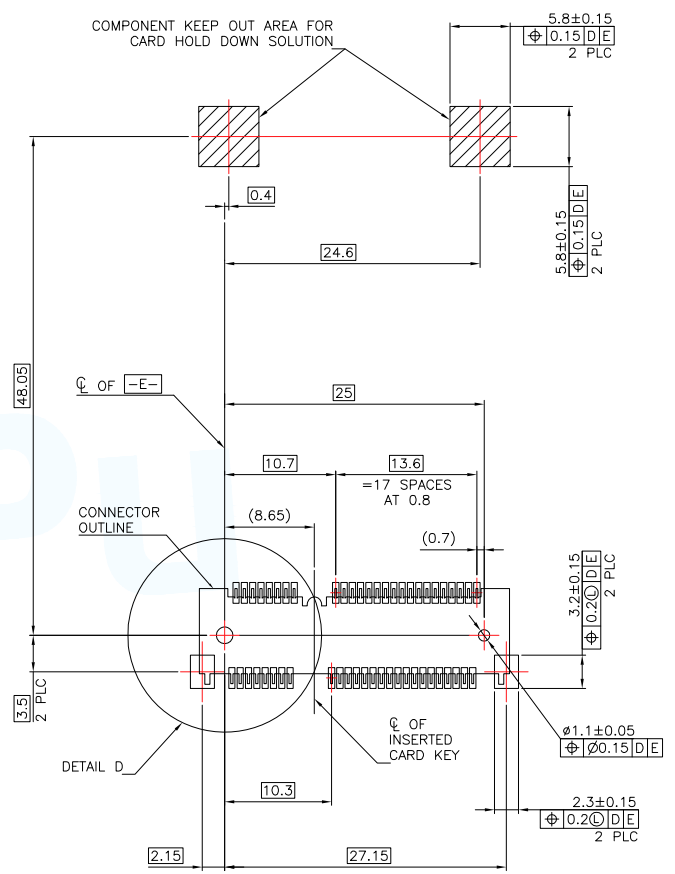
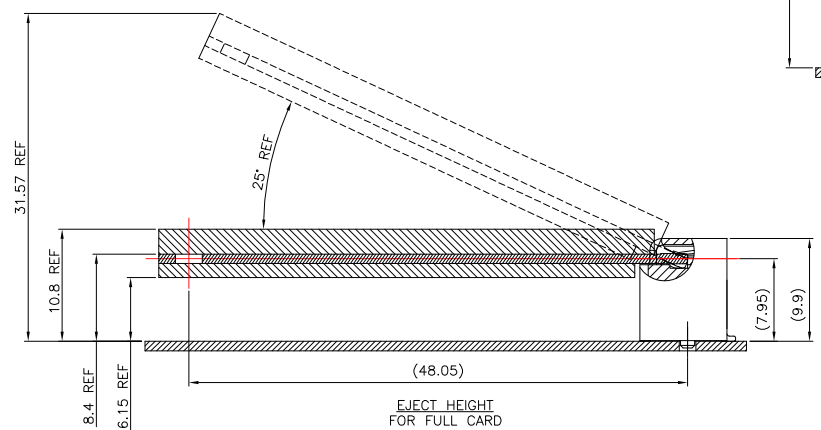
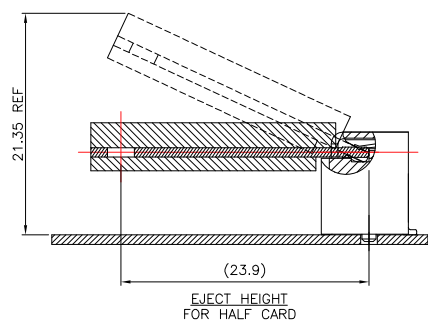
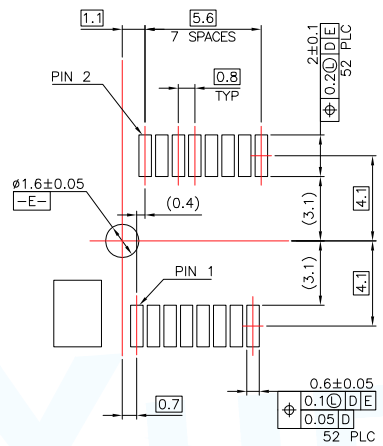
DD: (D1~D7: SUNDAY~SATURDAY)



MANUFACTURE DWG		东莞市讯普电子科技有限公司 DongGuan XunPu Electronics Co.,Ltd	
UNLESS OTHERWISE SPECIFIED TOLERANCES			TITLE: MINI PCI EXPRESS
			PAR PCIE-52PNH
			DWN KING
			2016.06.06
DECIMALS:	ANGLES:		
.X:±0.25	X':±1.5'		
.XX:±0.15	.X':±1.0'		
.XXX:±0.10	.XX':±0.5'		
CUSTOMER COPY		SCALE:1:1	UNIT:MM
		SIZE:A4	REV:A
		SHEET:1F1	



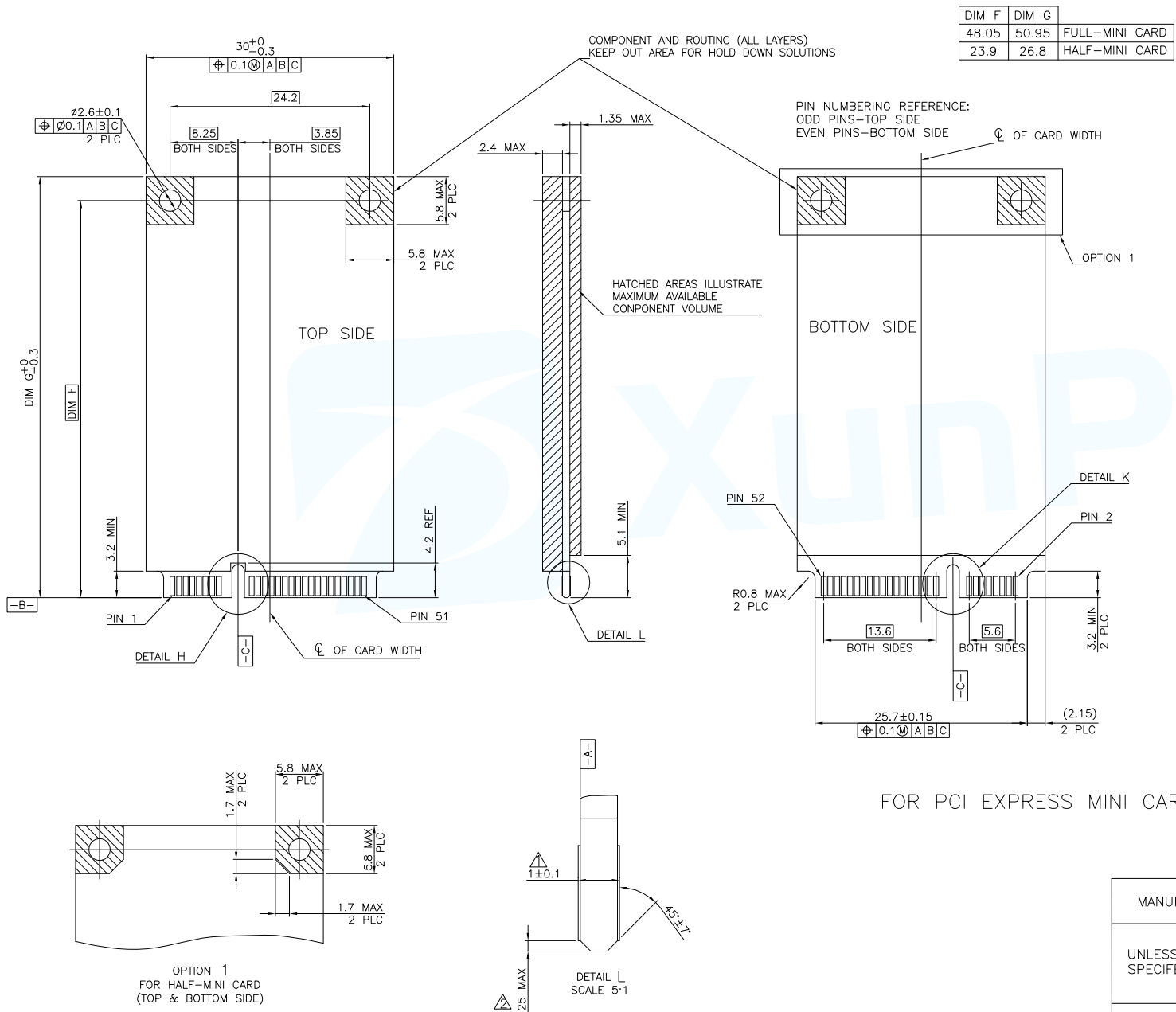
-D- IS THE TOP SURFACE OF PCB.
RECOMMENDED P.C. BOARD PATTERN LAYOUT
FOR HALF CARD CONNECTOR
(TOP VIEW)



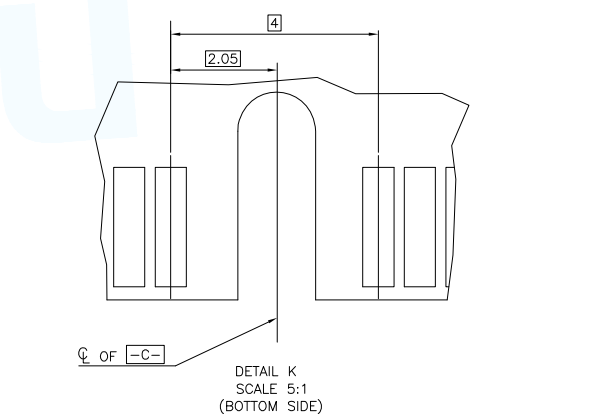
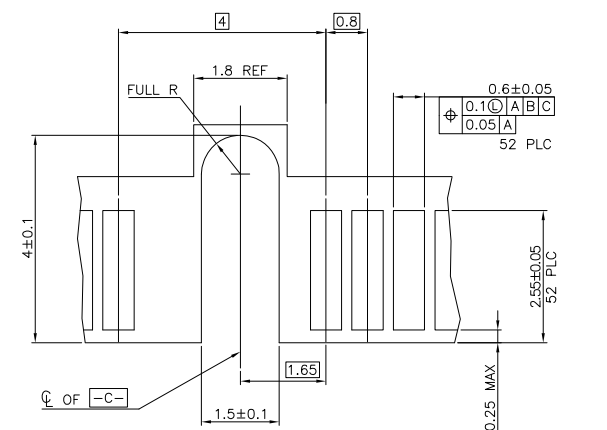
-D- IS THE TOP SURFACE OF PCB.
RECOMMENDED P.C. BOARD PATTERN LAYOUT
FOR FULL CARD CONNECTOR
(TOP VIEW)

MANUFACTURE DWG		 东莞市讯普电子科技有限公司 DongGuan XunPu Electronics Co.,Ltd	
UNLESS OTHERWISE SPECIFIED TOLERANCES		TITLE: MINI PCI EXPRESS	
		PAR	PCIE-52PNH
		DWN	KING
		CHKD	2016.06.06
		APVD	
DECIMALS:	ANGLES:	SCALE 1:1	UNIT:MM
.X:±0.25	X°:±1.5'	SIZE:A4	REV:A
.XX:±0.15	.X°:±1.0'	SHEET:1F1	
.XXX:±0.10	.XX°:±0.5'	CUSTOMER COPY	

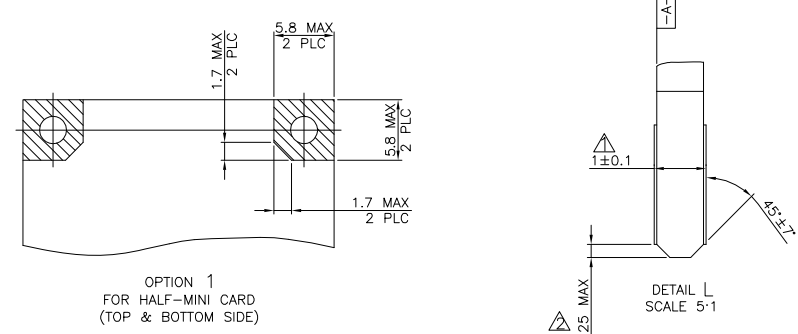




DIM F	DIM G	
48.05	50.95	FULL-MINI CARD
23.9	26.8	HALF-MINI CARD



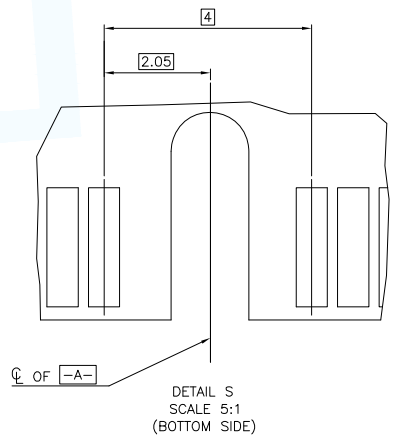
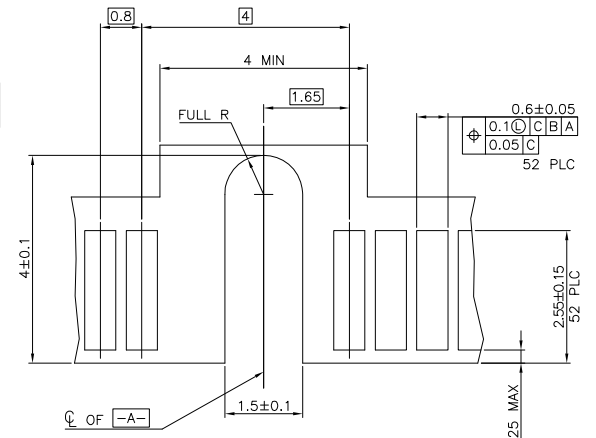
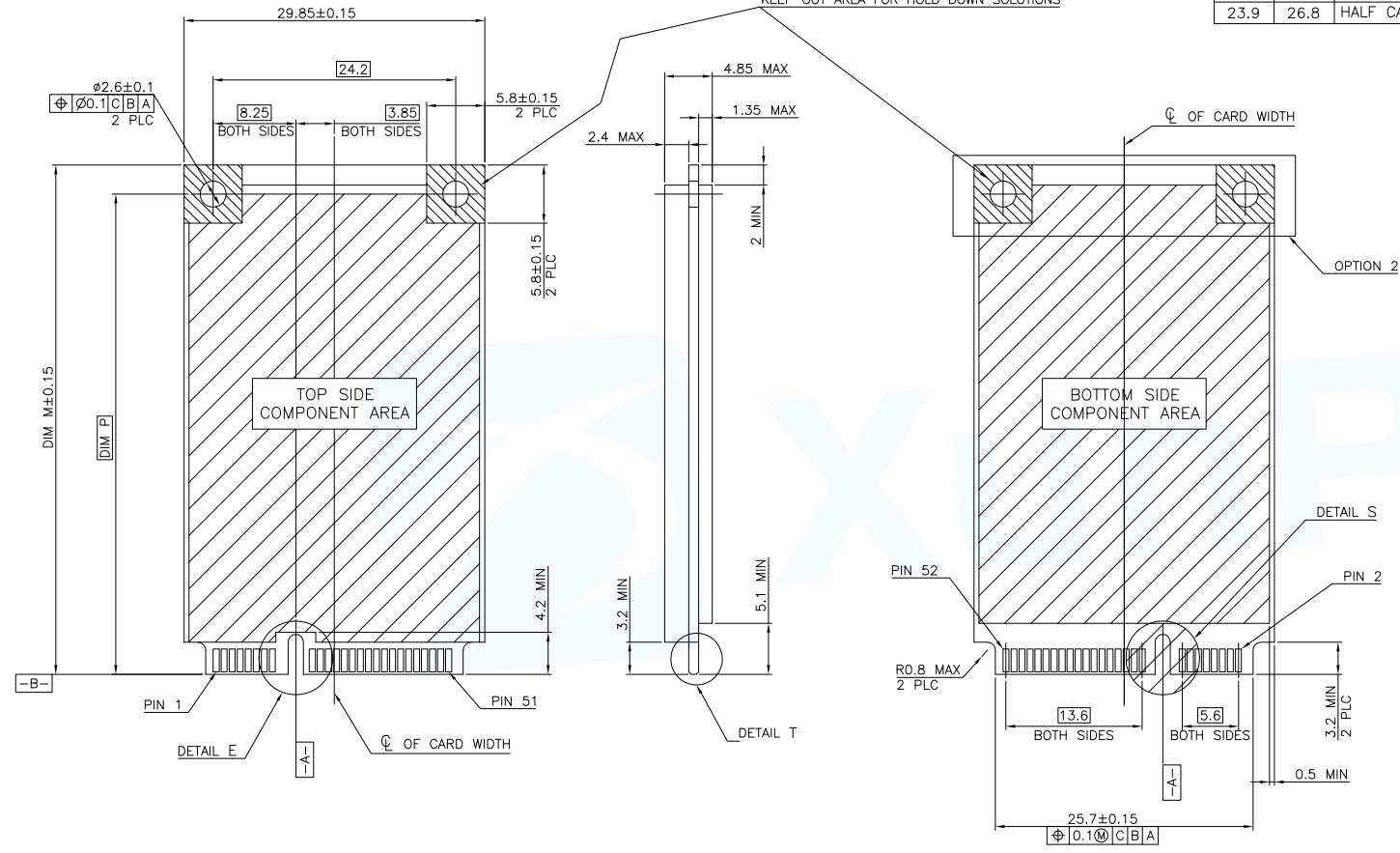
- NOTES:
- △ CARD THICKNESS APPLIES ACROSS TABS AND INCLUDES PLATING AND/OR METALLIZATION.
 - △ EDGE BEVEL MUST BE PRESENT AND FREE OF CUTTING BURRS FROM PCB AND CONTACT MATERIALS.



MANUFACTURE DWG			东莞市讯普电子科技有限公司 DongGuan XunPu Electronics Co.,Ltd		
UNLESS OTHERWISE SPECIFIED TOLERANCES			TITLE: MINI PCI EXPRESS		
DECIMALS:	ANGLES:	PAR	PCIE-52PNH		
.X: ± 0.25	X°: ± 1.5'	DWN	KING	2016.06.06	
.XX: ± 0.15	.X°: ± 1.0'	CHKD			
.XXX: ± 0.10	.XX°: ± 0.5'	APVD			
CUSTOMER COPY		SCALE: 1:1	UNIT: MM		
		SIZE: A4	SHEET: 1F1	REV: A	

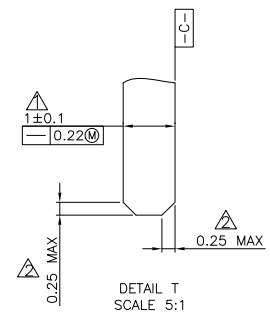
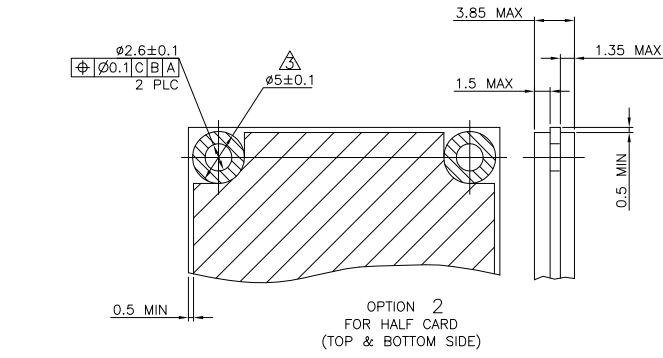
DIM P	DIM M	
48.05	50.8	FULL CARD
23.9	26.8	HALF CARD

COMPONENT AND ROUTING (ALL LAYERS)
KEEP OUT AREA FOR HOLD DOWN SOLUTIONS



- NOTES:
- ▲ CARD THICKNESS APPLIES ACROSS TABS AND INCLUDES PLATING AND/OR METALLIZATION.
 - ▲ EDGE BEVEL MUST BE PRESENT AND FREE OF CUTTING BURRS FROM PCB AND CONTACT MATERIALS.
 - ▲ COMPONENT AND ROUTING (TOP/BOTTOM LAYER) KEEP OUT AREA FOR HOLD DOWN SOLUTIONS.

FOR mSATA



MANUFACTURE DWG		东莞市讯普电子科技有限公司 DongGuan XunPu Electronics Co.,Ltd			
UNLESS OTHERWISE SPECIFIED TOLERANCES			TITLE: MINI PCI EXPRESS		
			PAR	PCIE-52PNH	
			DWN	KING	2016.06.06
			CHKD		
DECIMALS:	ANGLES:	SCALE 1:1		UNIT:MM	
.X:±0.25	.X':±1.5'	SIZE:A4		REV:A	
.XX:±0.15	.X':±1.0'	SHEET:1F1			
.XXX:±0.10	.X':±0.5'	CUSTOMER COPY			