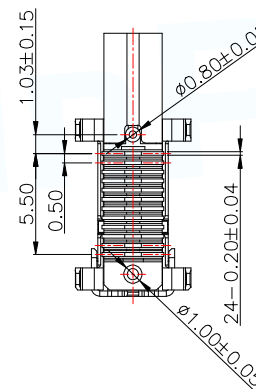
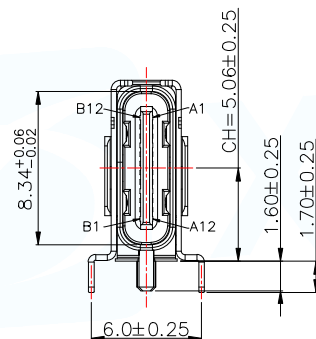
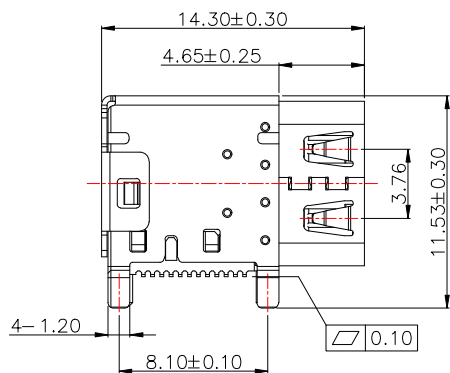
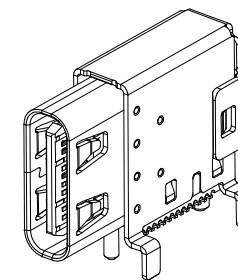
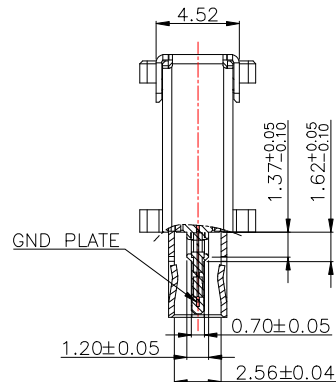
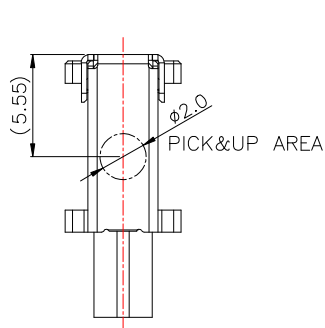


MAPX	MODIFICATION	DATE	DRAW	APPROVE

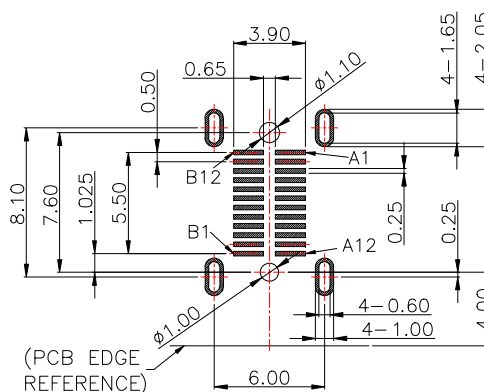
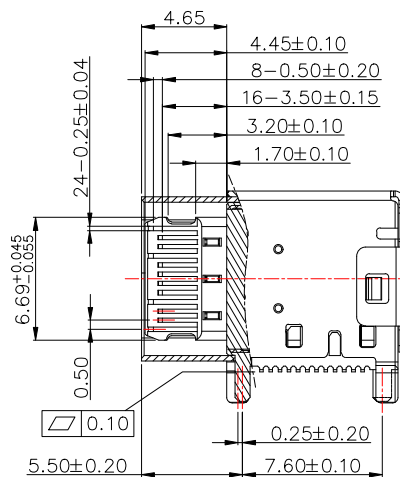


MATERIALS

- HOUSING : LCP (UL 94V-0), BLACK.
- TERMINAL : COPPER ALLOY, GOLD PLATED ON CONTACT AREA. GOLD FLASH PLATING ON SOLDER TAIL. NICKEL UNDERPLATED OVER ALL.
- MID PLATE : STAINLESS STEEL.
- SHELL : STAINLESS STEEL, NICKEL PLATING.

SPECIFICATION

- CURRENT RATING : 5.0A FOR Vbus PIN, 1.25A FOR Vconn PIN, 0.25A FOR OTHER PINS.
- CONTACT RESISTANCE : 40mΩ.
- INSULATION RESISTANCE : 100MΩ MIN.
- DIELECTRIC WITHSTANDING VOLTAGE : 100 VAC MIN.
- OPERATING TEMPERATURE : -40°C TO +85°C.
- MATING FORCE : 5~20N.
- UNMATING FORCE : 8~20N.
- DURABILITY : 10,000 CYCLES.
- RECOMMENDED PROCESS : THE PEAK TEMPERATURE ON THE BOARD SHALL MAINTAIN 260°C.

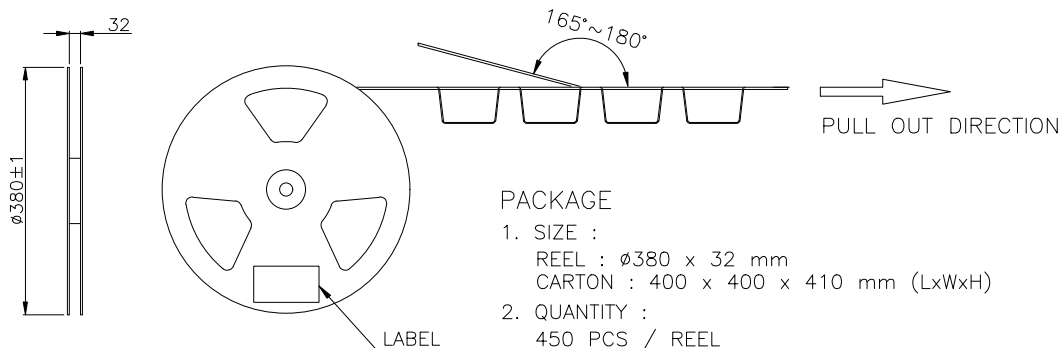
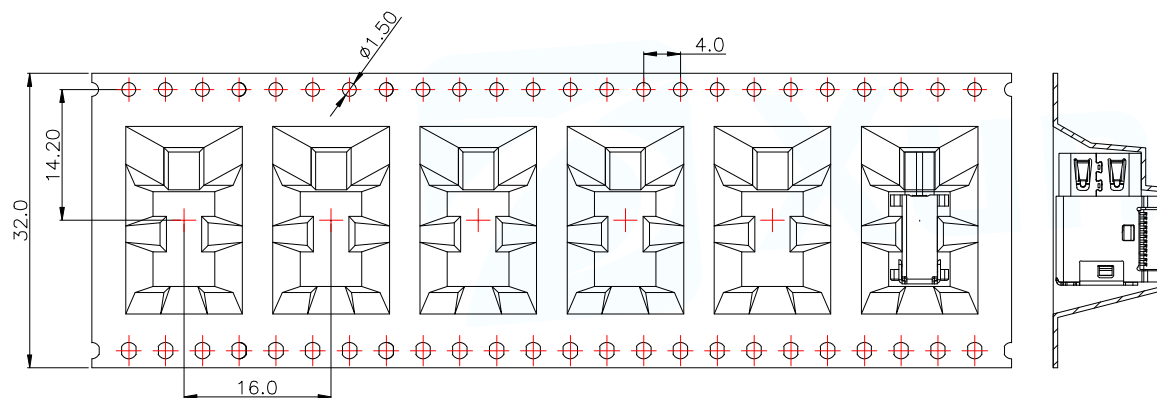
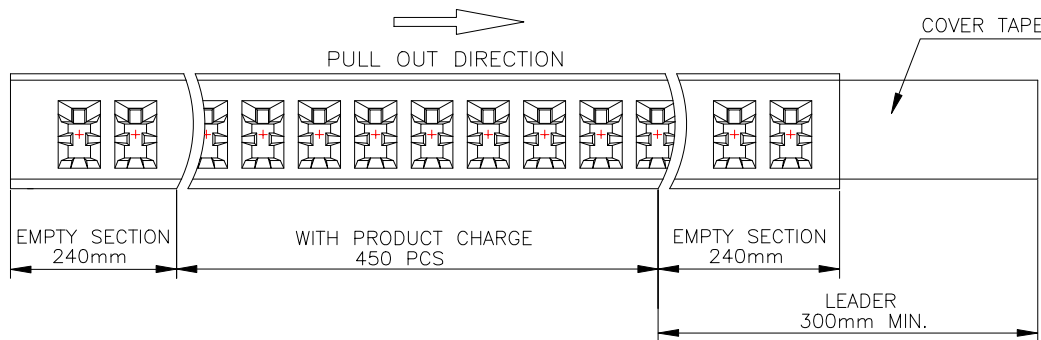


RECOMMENDED P.C.B LAYOUT
TOLERANCE ± 0.05mm (TOP VIEW)

PIN ASSINGMENT											
A1	A2	A3	A4	A5	A6	A7	A8	A9	A10	A11	A12
GND	SSTXp1	SSTXn1	VBUS	CC1	Dp1	Dn1	SBU1	VBUS	SSRXn2	SSRXp2	GND
GND	SSRXp1	SSRXn1	VBUS	SBU2	Dn2	Dp2	CC2	VBUS	SSTXn2	SSTXp2	GND
B12	B11	B10	B9	B8	B7	B6	B5	B4	B3	B2	B1

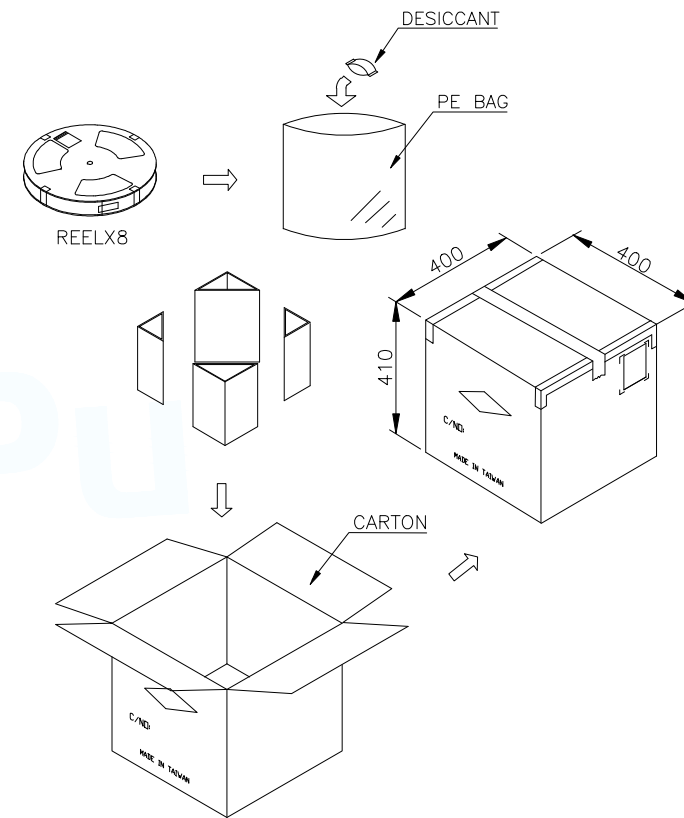
MANUFACTURE DWG		东莞市讯普电子科技有限公司 DongGuan XunPu Electronics Co.,Ltd	
UNLESS OTHERWISE SPECIFIED TOLERANCES			TITLE:USB TYPE-C 24PIN FEMALE UPRIGHT TYPE, GEN2
DECIMALS:	ANGLES:		PAR TYPEC-509DSCL-ACP24
.X:±0.30	X':.±3°		DWN
.XX:±0.20	X.X':.±2°		CHKD
.XXX:±0.10		APVD	SCALE1:1 UNIT:MM
CUSTOMER COPY		SIZE:A4	UNIT:MM
		SHEET:1F1	REV:A

12	13	14	15
MAPX	MODIFICATION	DATE	APPROVE



PACKAGE

1. SIZE :
 REEL : $\phi 380 \times 32$ mm
 CARTON : 400 x 400 x 410 mm (LxWxH)
2. QUANTITY :
 450 PCS / REEL
 8 REEL / CARTON = 3,600 PCS



MANUFACTURE DWG		 东莞市讯普电子科技有限公司 DongGuan XunPu Electronics Co.,Ltd	
UNLESS OTHERWISE SPECIFIED TOLERANCES			TITLE:USB TYPE-C 24PIN FEMALE UPRIGHT TYPE, GEN2
DECIMALS:	ANGLES:		PAR TYPEC-509DSCL-ACP24
.X:±0.30	X'.:±3'		DWN
.XX:±0.20	X.X':±2'		CHKD
.XXX:±0.10		APVD	SCALE1:1 UNIT:MM
CUSTOMER COPY		SIZE:A4	UNIT:MM
		SHEET:1F1	REV:A